

TECHNICAL DATA SHEET

TRAPEZOID BLADE NO. 60095

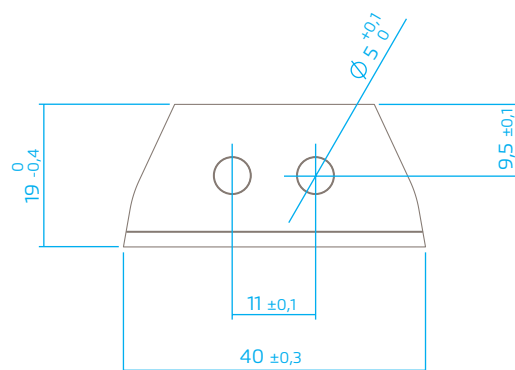


TRAPEZOID BLADE NO. 60095 from MARTOR is a high-quality blade made of steel. It is very sharp and has two cutting edges that can be used one after the other for a long service life. The blade is 40.0 mm long, 19.0 mm wide and 0.63 mm thick. The deep edge makes cutting easier and the rounded tips increase user safety.

TRAPEZOID BLADE NO. 60095 is available under order number 60095.70 in a transparent pack of 10.

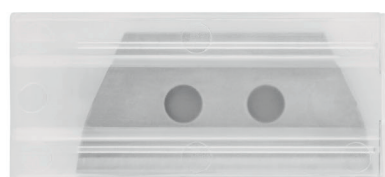
PRODUCT DETAILS

Order No.	NO. 60095.70
Blade size (L x W)	40 x 19 mm
Material thickness	0.63 mm
Weight Blade	2.8 g
Basic material	Steel
Ground	deep-edged, 2-sided ground-edge
Blade facets	Double bevel edge-ground
Safety feature	rounded blade tips
Blade characteristics	2-cutting edge blade



PACKAGING DETAILS

Packaging unit (PU)	10 in transparent pack
Size PU	51 x 23 x 10.0 mm
Weight PU	30.9 g
EAN Code PU	4002632802935
Quantity in outer pack	10 transparent packs
Size outer pack	109 x 55 x 27.0 mm
Weight outer pack	325 g
EAN Code outer pack	4002632852930
Customs tariff number	82119400



PRODUCT FEATURES

Technical features



Rounded-tip trapezoid blade



2-sided ground-edge



deep-edged



2-cutting edge blade



MOUNTABLE IN

The blade can be used in the following MARTOR knives: SECUPRO 625.

SAFETY ADVICE



CAUTION: The blade is sharp and can result in serious and deep cuts. Therefore, never reach into the blade!

Only use cutting tools that are in perfect condition with sharp, clean and undamaged MARTOR blades. Also make sure that the knife's operation is not impaired by the material to be cut or by dirt or particle deposits around the blade.

1. Replacement of spare parts: Replace any blades that become dull at the right time! Dispose of old blades in a proper fashion. They should not be placed in a waste paper bin, as this poses a considerable danger of injuries.

2. Non-use of the knife: Always secure the blade in such a way (depending on product type) that injuries due to cuts are excluded. Store the knife in a secure place.

3. Care instructions: To guarantee a long service life, always keep the knife clean and do not expose it to unnecessary soiling and humidity.

CAUTION: No liability will be assumed for consequential losses. Subject to technical changes and errors! This knife does not belong in the hands of children!



Distributed by: SAURYA HSE PVT LTD

**Ho: C-112A, Kailash Business Park, Veer Sawarkar Marg, Vikhroli (West), Mumbai – 400079, Maharashtra, India
T: +91 22 4065 5555 | E: commercial@sauryahse.com | W: www.sauryahse.com**