

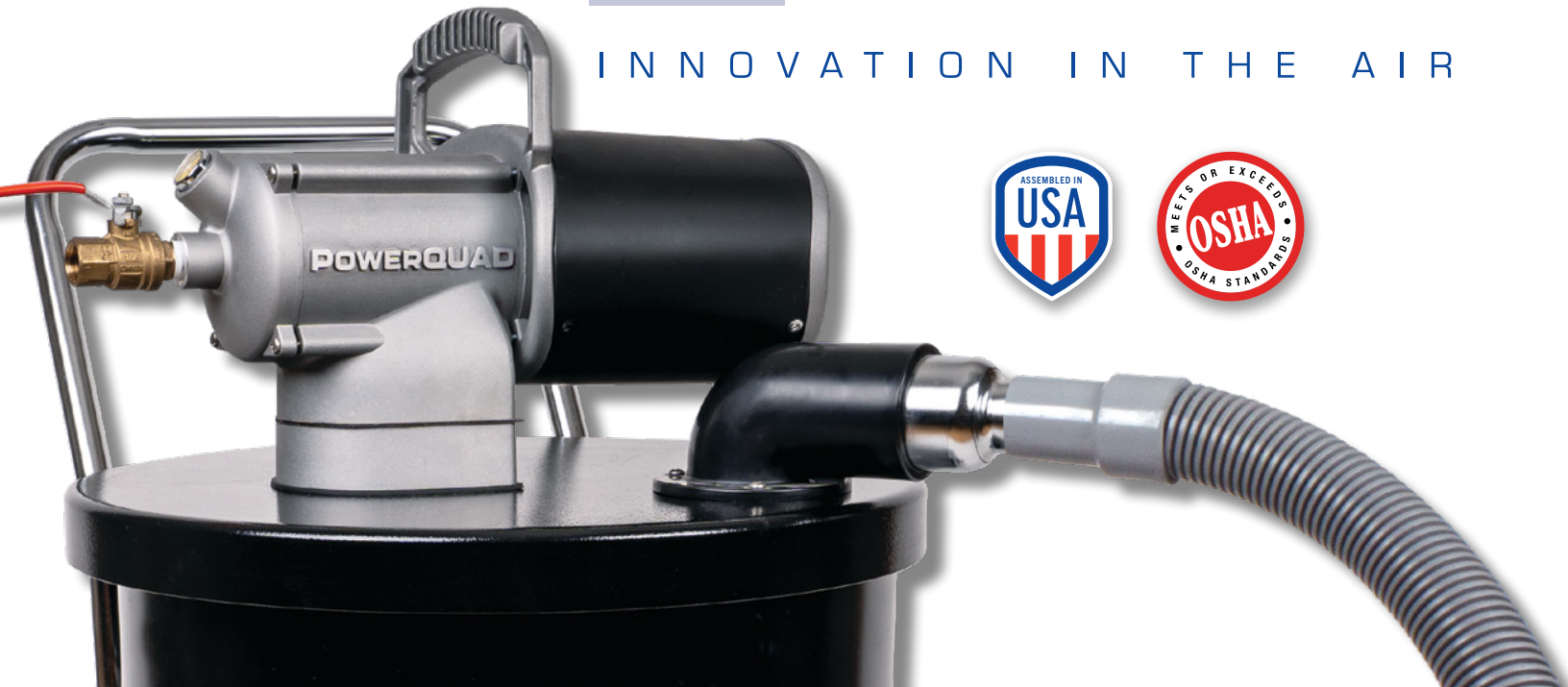
GUARDAIR®

SAURYA

Value Driven Safety

Safety Air Guns

INNOVATION IN THE AIR



About Us

With a rich history dating back to 1942, Guardair Corporation is a leading US manufacturer of best-in-class, tools and accessories for MROP (Maintenance, Repair, Operations, Production) applications. Headquartered in Chicopee, Massachusetts, the Company features three distinct brands:



Safety Air Guns feature exceptional performance including protection from chip fly-back, noise suppression, and syphon capabilities. Designed for safe, and effective cleaning, the line includes a wide-range of specialty air guns for a multitude of industrial applications. All meet OSHA Standards when cleaning with compressed air.

Pneumatic Vacuums offer significant advantages in performance, dependability, safety, and life-cycle cost over conventional electric-powered vacuums. Powered by compressed air, with no moving parts or electric motors to burn out, these powerful, versatile and low-noise vacuums are ideal for the toughest industrial environments.

Associations



Guardair World Headquarters Chicopee, MA



Manufacturer of air excavation tools for the arbor/landscape and utility/construction markets. Featuring the original AirSpade, the Utility AirSpade, and the mobile, tire-mounted AirVac, **AirSpade** products are ideal for tree care and "soft excavation" applications.



Manufacturer of tools designed to fabricate flange gaskets. Featuring extension-style and rotary-style gasket cutters, **Allpax** product line also includes hollow punches, arch punches, and other accessories.

! WARNING



Eye protection must be worn at all times, eye protection to conform to ANSI Z87.1.



Respiratory protection to be used when exposed to contaminants that exceed the application threshold limit values required by law.



Ear protection to be worn when exposure to sound exceeds the limits of applicable Federal, State or local statutes, ordinances and/or regulations.



General warning. Caution, risk of danger. Practice safety requirements. Work alert, have proper attire, and do not operate tools under the influence of alcohol or drugs.



Air line hazard, pressurized supply lines and flexible hoses can cause serious injury. Do not use damage, frayed or deteriorated air hoses and fittings.



WARNING: Cancer and Reproductive Harm – www.P65Warnings.ca.gov.

Table of Contents

SAFETY AIR GUNS

PalmJet® Series	
Ultra® Series.....	
Classic+ Series	
ThumbSwitch Series	
Lazer® Series.....	
Big Air Guns	
Specialty Air Guns	
Syphon Guns	
Safety Air Gun Accessories	
Safety Air Gun Replacement Parts	
Shop Accessories	

MEETING OSHA STANDARDS



At Guardair Corporation, our number one concern is worker safety. Given this focus, all Guardair safety air guns meet or exceed applicable OSHA Standards.

OSHA regulations can often be confusing. However one thing is certain. Compressed air can be extremely dangerous if misused, and horseplay in the workplace can lead to serious injury. This is why compliance with OSHA Standards pertaining to Output Pressure, Chip Guarding and Noise is critical when cleaning with compressed air.



OSHA COMPLIANCE KIT

Understand OSHA Standards when cleaning with compressed air, test air guns for OSHA compliance, and raise plant safety awareness with the Guardair **OSHA COMPLIANCE KIT**.

Complete kit includes:

- OSHA Standards
- Air Pressure Test Gauge
- Air Gun Safety in the Workplace Video
- Air Gun Safety Poster

Available **FREE** to Guardair Distributors and qualified End-Users.



 **Order Your FREE Kit**

OUTPUT PRESSURE

Factory air lines normally operate at pressures between 80 and 120 psi (pounds per square inch). Most pneumatic tools, including air guns, require such high pressures to operate effectively. However, OSHA requires that should the nozzle tip of an air gun become dead-ended (blocked), the static pressure at the point of blockage be no more than 30 psi.

All Guardair safety air guns meet this requirement.

OSHA STANDARD

29CFR Part 1910.242 (b)

Hand and portable powered tools and equipment, general.

OSHA INSTRUCTION

STD 01-13-001

OSHA PROGRAM DIRECTIVE #100-1

CHIP GUARDING

Blowing off debris with an air gun in close quarters often subjects workers to "chip fly-back". This term refers to the tendency of loose particles or chips to fly back into the operator's face, eyes or skin. For operations which require close-in work, OSHA requires that "effective chip guarding" be incorporated into the workplace.

Guardair offers safety air guns designed for close-in work incorporating a protective air cone for effective chip guarding.

OSHA STANDARD

29CFR Part 1910.242 (b)

Hand and portable powered tools and equipment, general.

OSHA INSTRUCTION

STD 01-13-001

OSHA PROGRAM DIRECTIVE #100-1

NOISE

Excessive noise generated in the workplace can be harmful. To address this problem, OSHA has developed permissible daily noise exposure specifications. The use of low noise, safety air guns can sometimes be an important component in moving towards noise compliance.

Guardair offers safety air guns which incorporate proprietary noise-limiting features.

OSHA STANDARD

29CFR Part 1910.95 (a)

Occupational noise exposure.

APPLICABLE OSHA STANDARDS

OUTPUT PRESSURE/CHIP GUARDING

OSHA STANDARD

29CFR Part 1910.242 (b)

Hand and portable powered tools and equipment, general.

Compressed air used for cleaning. Compressed air shall not be used for cleaning purposes except where reduced to less than 30 psi and then only with effective chip guarding and personal protective equipment.

OSHA INSTRUCTION

STD 01-13-001

October 30, 1978

Office of Program Operations

February 14, 1972

OSHA PROGRAM DIRECTIVE #100-1

To: National and Field Offices

Subject: Reduction of Air Pressure Below 30 psi for Cleaning Purposes

Attachment: Acceptable Methods for Complying with 41 CFR 50-204.8 and 29 CFR 1910.242(b)

- 1. Purpose.** To provide guidance and examples of what alternate systems will meet the requirements of this section, and to clarify its intent.
- 2. Background.** A number of inquiries have been received requesting a clarification of the meaning of 1910.242(b) also known as 41 CFR 50-2048 under the Walsh-Healey Act.
- 3. Interpretation.** The phrase "reduce to less than 30 psi" means that the downstream pressure of the air at the nozzle (nozzle pressure) or opening of a gun, pipe, cleaning lance, etc., used for cleaning purposes will remain at a pressure level below 30 psi for all static conditions. The requirements for dynamic flow are such that in the case when dead ending occurs a static pressure at the main orifice shall not exceed 30 psi. This requirement is necessary in order to prevent a back pressure buildup in case the nozzle is obstructed or dead ended. See enclosure (1) for two acceptable methods of meeting this requirement. Also, there is no intent to restrict the diameter of the nozzle orifice or the volume (CFM) flowing from it.

"Effective chip guarding" means any method or equipment which will prevent a chip or particle (of whatever size) from being blown into the eyes or unbroken skin of the operator or other workers. Effective chip guarding may be separate from the air nozzle as in the case where screens or barriers are used. The use of protective cone air nozzles are acceptable in general for protection of the operator but barriers, baffles or screens may be required to protect other workers if they are exposed to flying chips or particles.
- 4. Action.** Inquiries about subject section should be handled in accordance with this instruction.
- 5. Effective Date.** This instruction is effective immediately, and will remain in effect until canceled or superseded.

Director, of Program Operations

NOISE

OSHA STANDARD

29CFR Part 1910.95 (a)

Occupational noise exposure.

Protection against the effects of noise exposure shall be provided when the sound levels exceed those shown in Table G-16 when measured on the A scale of a standard sound level meter at slow response.

Table G-16 Permissible Noise Exposures

Duration per day, hours	8.0	6.0	4.0	3.0	2.0	1.5	1.0	0.5	0.25
Sound level dBA slow response	90	92	95	97	100	102	105	110	115

PalmJet® Safety Air Guns

Innovation in the palm of your hand.



SAURYA

Value Driven Safety



PalmJet® Safety Air Gun Series

Designed to be the most advanced, thumb-switch style safety air gun on the market today, the PalmJet features a comfortable, ergonomic handle and a rugged, stainless steel, 1/4" diameter extension – ideal for cleaning the tightest cavities. Choose from eight popular bent and straight extension configurations. Precision volume control sets the airflow – from a whisper to a blast. Star-tip nozzle provides OSHA compliance and superior, debris-cleaning performance. 1/4" FNPT inlet.

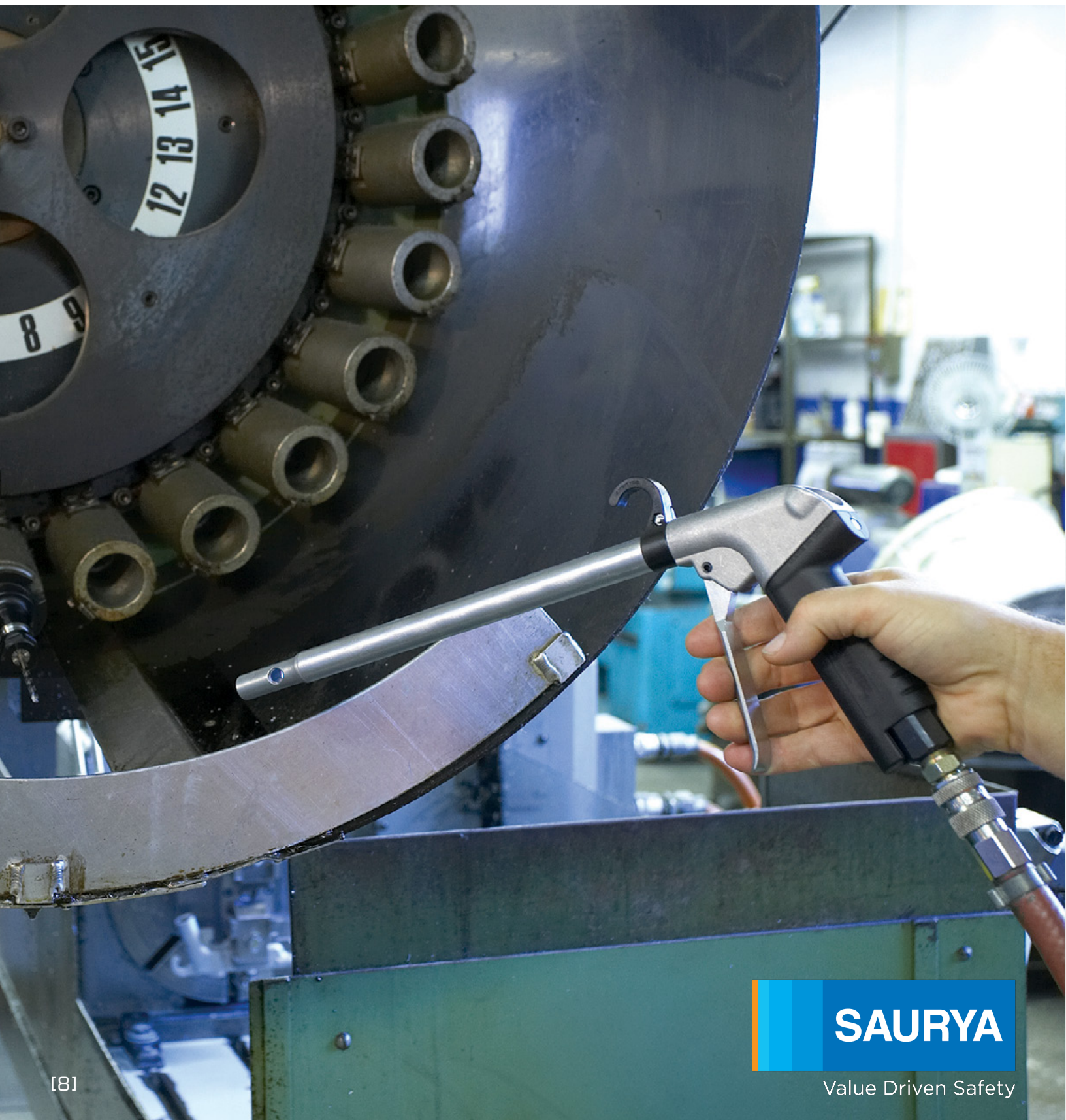
Features

- High impact, polypropylene body
- Soft rubber, ergonomic grip
- Extended, comfort trigger
- Generous hanging hook
- Precision, adjustable air volume control
- OSHA compliant, Star Tip nozzle
- Brass 1/4" FNPT inlet
- Meets OSHA standards

Part No.	Model/Description	Air Inlet FNPT (in)	Min. Compressor Required (hp)	Flow (cfm)	Output Thrust (lbs)	Noise Level (dBA)	Dimensions (L" x W" x H")	Weight (lbs)
GA4404S	With 4" Straight Extension	1/4	1.3	6	0.4	85	9.5 x 1 x 5	0.3
GA4404B	With 4" Bent Extension	1/4	1.3	6	0.4	85	9.4 x 1 x 5	0.3
GA4412S	With 12" Straight Extension	1/4	1.3	6	0.4	85	17.5 x 1 x 5	0.4
GA4412B	With 12" Bent Extension	1/4	1.3	6	0.4	85	17.4 x 1 x 5	0.4
GA4418S	With 18" Straight Extension	1/4	1.3	6	0.4	85	23.5 x 1 x 5	0.4
GA4418B	With 18" Bent Extension	1/4	1.3	6	0.4	85	23.4 x 1 x 5	0.4
GA4424S	With 24" Straight Extension	1/4	1.3	6	0.4	85	29.5 x 1 x 5	0.5
GA4424B	With 24" Bent Extension	1/4	1.3	6	0.4	85	29.4 x 1 x 5	0.5

Ultra[®] Safety Air Guns

The ultimate in comfort and performance.



SAURYA

Value Driven Safety



Ultra® Venturi Series (Short Trigger)

Ideal for cleaning inaccessible and hard-to-reach areas. Efficient Venturi nozzle boosts thrust up to 300% over conventional air guns, yet limits static pressure to less than 30 psi should the tip become blocked. Patented, adjustable hanging hook can be repositioned for convenient storage. Ergonomic, cushioned pistol-grip style handle provides unparalleled comfort.

Features

- Cast aluminum body with premium cushion grip
- Contoured ergonomic trigger
- Adjustable hanging hook
- Aluminum extension
- Zinc alloy Venturi nozzle
- 1/4" or 3/8" FNPT inlet
- Meets OSHA standards

Part No.	Model/Description	Air Inlet FNPT (in)	Min. Compressor Required (hp)	Flow (cfm)	Output Thrust (lbs)	Noise Level (dBA)	Dimensions (L" x W" x H")	Weight (lbs)
U75LJ006AA2	With 6" Extension	3/8	11	49	2.8	104	9.7 x 1.2 x 6.6	1.0
U75LJ006AA225	With 6" Extension	1/4	8.9	40	1.9	97	9.7 x 1.2 x 6.6	1.0
U75LJ012AA2	With 12" Extension	3/8	11	49	2.8	104	15.7 x 1.2 x 6.6	1.1
U75LJ018AA2	With 18" Extension	3/8	11	49	2.8	104	21.7 x 1.2 x 6.6	1.2
U75LJ024AA2	With 24" Extension	3/8	11	49	2.8	104	27.7 x 1.2 x 6.6	1.3
U75LJ036AA2	With 36" Extension	3/8	11	49	2.8	104	39.7 x 1.2 x 6.6	1.5
U75LJ048AA2	With 48" Extension	3/8	11	49	2.8	104	51.7 x 1.2 x 6.6	1.7
U75LJ060AA2	With 60" Extension	3/8	11	49	2.8	104	63.7 x 1.2 x 6.6	1.9
U75LJ072AA2	With 72" Extension	3/8	11	49	2.8	104	75.7 x 1.2 x 6.6	2.1



Ultra® Venturi Series (Long Trigger)

Ideal for cleaning inaccessible and hard-to-reach areas. Efficient Venturi nozzle boosts thrust up to 300% over conventional air guns, yet limits static pressure to less than 30 psi should the tip become blocked. Patented, adjustable hanging hook can be repositioned for convenient storage. Ergonomic, cushioned pistol-grip style handle provides unparalleled comfort.

Features

- Cast aluminum body with premium cushion grip
- Full length contoured ergonomic trigger
- Adjustable hanging hook
- Aluminum extension
- Zinc alloy Venturi nozzle
- 3/8" FNPT inlet
- Meets OSHA standards

Part No.	Model/Description	Air Inlet FNPT (in)	Min. Compressor Required (hp)	Flow (cfm)	Output Thrust (lbs)	Noise Level (dBA)	Dimensions (L" x W" x H")	Weight (lbs)
U75LJ006AA3	With 6" Extension	3/8	11	49	2.8	104	9.7 x 1.2 x 6.6	1.0
U75LJ012AA3	With 12" Extension	3/8	11	49	2.8	104	15.7 x 1.2 x 6.6	1.1
U75LJ018AA3	With 18" Extension	3/8	11	49	2.8	104	21.7 x 1.2 x 6.6	1.2
U75LJ024AA3	With 24" Extension	3/8	11	49	2.8	104	27.7 x 1.2 x 6.6	1.3
U75LJ036AA3	With 36" Extension	3/8	11	49	2.8	104	39.7 x 1.2 x 6.6	1.5
U75LJ048AA3	With 48" Extension	3/8	11	49	2.8	104	51.7 x 1.2 x 6.6	1.7
U75LJ060AA3	With 60" Extension	3/8	11	49	2.8	104	63.7 x 1.2 x 6.6	1.9
U75LJ072AA3	With 72" Extension	3/8	11	49	2.8	104	75.7 x 1.2 x 6.6	2.1



Ultra® XtraThrust® Series (Short Trigger)

Ultra XtraThrust Series delivers maximum thrust along with superior performance and comfort. Engineered for the toughest applications and to move the heaviest debris, Generates the highest thrust in the Ultra Family yet limits static pressure to less than 30 psi should the tip become blocked. Patented, adjustable hanging hook can be repositioned for convenient storage. Ergonomic, cushioned pistol-grip style handle provides unparalleled comfort.

Features

- Cast aluminum body with premium cushion grip
- Contoured ergonomic trigger
- Adjustable hanging hook
- Aluminum extension
- Zinc alloy XtraThrust nozzle
- 1/4" or 3/8" FNPT inlet
- Meets OSHA standards

Part No.	Model/Description	Air Inlet FNPT (in)	Min. Compressor Required (hp)	Flow (cfm)	Output Thrust (lbs)	Noise Level (dBA)	Dimensions (L" x W" x H")	Weight (lbs)
U75XT006AA2	With 6" Extension	3/8	15	66	3.3	101	9.7 x 1.2 x 6.6	1.0
U75XT006AA225	With 6" Extension	1/4	15	66	3.3	101	9.7 x 1.2 x 6.6	1.0
U75XT012AA2	With 12" Extension	3/8	15	66	3.3	101	15.7 x 1.2 x 6.6	1.1
U75XT018AA2	With 18" Extension	3/8	15	66	3.3	101	21.7 x 1.2 x 6.6	1.2
U75XT024AA2	With 24" Extension	3/8	15	66	3.3	101	27.7 x 1.2 x 6.6	1.3
U75XT036AA2	With 36" Extension	3/8	15	66	3.3	101	39.7 x 1.2 x 6.6	1.5
U75XT048AA2	With 48" Extension	3/8	15	66	3.3	101	51.7 x 1.2 x 6.6	1.7
U75XT060AA2	With 60" Extension	3/8	15	66	3.3	101	63.7 x 1.2 x 6.6	1.9
U75XT072AA2	With 72" Extension	3/8	15	66	3.3	101	75.7 x 1.2 x 6.6	2.1



Ultra® XtraThrust® Series (Long Trigger)

Engineered for the toughest applications and to move the heaviest debris, Generates the highest thrust in the Ultra Family yet limits static pressure to less than 30 psi should the tip become blocked. Patented, adjustable hanging hook can be repositioned for convenient storage. Ergonomic, cushioned pistol-grip style handle provides unparalleled comfort.

Features

- Cast aluminum body with premium cushion grip
- Full length contoured ergonomic trigger
- Adjustable hanging hook
- Aluminum extension
- Zinc alloy XtraThrust nozzle
- 3/8" FNPT inlet
- Meets OSHA standards

Part No.	Model/Description	Air Inlet FNPT (in)	Min. Compressor Required (hp)	Flow (cfm)	Output Thrust (lbs)	Noise Level (dBA)	Dimensions (L" x W" x H")	Weight (lbs)
U75XT006AA3	With 6" Extension	3/8	15	66	3.3	101	9.7 x 1.2 x 6.6	1.0
U75XT012AA3	With 12" Extension	3/8	15	66	3.3	101	15.7 x 1.2 x 6.6	1.1
U75XT018AA3	With 18" Extension	3/8	15	66	3.3	101	21.7 x 1.2 x 6.6	1.2
U75XT024AA3	With 24" Extension	3/8	15	66	3.3	101	27.7 x 1.2 x 6.6	1.3
U75XT036AA3	With 36" Extension	3/8	15	66	3.3	101	39.7 x 1.2 x 6.6	1.5
U75XT048AA3	With 48" Extension	3/8	15	66	3.3	101	51.7 x 1.2 x 6.6	1.7
U75XT060AA3	With 60" Extension	3/8	15	66	3.3	101	63.7 x 1.2 x 6.6	1.9
U75XT072AA3	With 72" Extension	3/8	15	66	3.3	101	75.7 x 1.2 x 6.6	2.1



Ultra® WhisperJet® Series (Short Trigger)

Ultra WhisperJet Series incorporates exclusive WhisperJet nozzle technology to provide superior thrust at reduced noise levels. Ideal where low noise coupled with extended reach capability is required. Solid conical tip prevents nozzle blockage, thereby meeting OSHA requirements. Patented, adjustable hanging hook can be repositioned for convenient storage. Ergonomic, cushioned pistol-grip style handle provides unparalleled comfort.

Features

- Cast aluminum body with premium cushion grip
- Contoured ergonomic trigger
- Adjustable hanging hook
- Aluminum extension
- Aluminum WhisperJet nozzle
- 3/8" FNPT inlet
- Meets OSHA standards

Part No.	Model/Description	Air Inlet FNPT (in)	Min. Compressor Required (hp)	Flow (cfm)	Output Thrust (lbs)	Noise Level (dBA)	Dimensions (L" x W" x H")	Weight (lbs)
U80LJ006AA2	With 6" Extension	3/8	8.9	18	1.1	88	9.4 x 1.2 x 6.6	0.9
U80LJ012AA2	With 12" Extension	3/8	8.9	18	1.1	88	15.4 x 1.2 x 6.6	1.0
U80LJ018AA2	With 18" Extension	3/8	8.9	18	1.1	88	21.4 x 1.2 x 6.6	1.1
U80LJ024AA2	With 24" Extension	3/8	8.9	18	1.1	88	27.4 x 1.2 x 6.6	1.3
U80LJ036AA2	With 36" Extension	3/8	8.9	18	1.1	88	39.4 x 1.2 x 6.6	1.4
U80LJ048AA2	With 48" Extension	3/8	8.9	18	1.1	88	51.4 x 1.2 x 6.6	1.6
U80LJ060AA2	With 60" Extension	3/8	8.9	18	1.1	88	63.4 x 1.2 x 6.6	1.8
U80LJ072AA2	With 72" Extension	3/8	8.9	18	1.1	88	75.4 x 1.2 x 6.6	2.0



Ultra® WhisperJet® Series (Long Trigger)

Ultra WhisperJet Series incorporates exclusive WhisperJet nozzle technology to provide superior thrust at reduced noise levels. Ideal where low noise coupled with extended reach capability is required. Solid conical tip prevents nozzle blockage, thereby meeting OSHA requirements. Patented, adjustable hanging hook can be repositioned for convenient storage. Ergonomic, cushioned pistol-grip style handle provides unparalleled comfort.

Features

- Cast aluminum body with premium cushion grip
- Full length contoured ergonomic trigger
- Adjustable hanging hook
- Aluminum extension
- Aluminum WhisperJet nozzle
- 3/8" FNPT inlet
- Meets OSHA standards

Part No.	Model/Description	Air Inlet FNPT (in)	Min. Compressor Required (hp)	Flow (cfm)	Output Thrust (lbs)	Noise Level (dBA)	Dimensions (L" x W" x H")	Weight (lbs)
U80LJ006AA3	With 6" Extension	3/8	8.9	18	1.1	88	9.4 x 1.2 x 6.6	1.0
U80LJ012AA3	With 12" Extension	3/8	8.9	18	1.1	88	15.4 x 1.2 x 6.6	1.1
U80LJ018AA3	With 18" Extension	3/8	8.9	18	1.1	88	21.4 x 1.2 x 6.6	1.2
U80LJ024AA3	With 24" Extension	3/8	8.9	18	1.1	88	27.4 x 1.2 x 6.6	1.3
U80LJ036AA3	With 36" Extension	3/8	8.9	18	1.1	88	39.4 x 1.2 x 6.6	1.5
U80LJ048AA3	With 48" Extension	3/8	8.9	18	1.1	88	51.4 x 1.2 x 6.6	1.7
U80LJ060AA3	With 60" Extension	3/8	8.9	18	1.1	88	63.4 x 1.2 x 6.6	1.9
U80LJ072AA3	With 72" Extension	3/8	8.9	18	1.1	88	75.4 x 1.2 x 6.6	2.1



Ultra® WhisperJet® Safety Air Gun

Best in class bench-top gun, the Ultra WhisperJet incorporates exclusive WhisperJet nozzle technology to provide superior thrust at reduced noise levels. Solid conical tip prevents nozzle blockage, thereby meeting OSHA requirements. Ergonomic, cushioned pistol-grip style handle provides unparalleled comfort.

Features

- Cast aluminum body with premium cushion grip
- Contoured ergonomic trigger
- Aluminum WhisperJet nozzle
- 1/4" and 3/8" FNPT inlet versions available
- Meets OSHA standards

Part No.	Model/Description	Air Inlet FNPT (in)	Min. Compressor Required (hp)	Flow (cfm)	Output Thrust (lbs)	Noise Level (dBA)	Dimensions (L" x W" x H")	Weight (lbs)
U80WJ225	Ultra WhisperJet	1/4	8.9	19	11	89	5.3 x 1.2 x 6.6	0.9
U80WJ2	Ultra WhisperJet	3/8	8.9	19	11	89	5.3 x 1.2 x 6.6	0.8

Classic+ Safety Air Guns

Original "classic" design with OSHA-compliant features.



SAURYA

Value Driven Safety



Original Safety Air Gun

First safety air gun to incorporate protective air cone technology to shield user from dangerous "chip fly-back." Powerful Venturi nozzle draws in ambient air to increase thrust. Nozzle is permanently pinned to body to prevent tampering. Features ergonomic, Classic+ pistol grip-style handle for maximum user comfort.

Features

- Durable cast aluminum body with hanging hook
- Wide comfort trigger
- Precision air volume control
- Safety air shield
- Zinc alloy Venturi nozzle
- 1/4" FNPT inlet
- Meets OSHA standards

Part No.	Model/Description	Air Inlet FNPT (in)	Min. Compressor Required (hp)	Flow (cfm)	Output Thrust (lbs)	Noise Level (dBA)	Dimensions (L" x W" x H")	Weight (lbs)
57S30XB	Original Safety Air Gun	1/4	8	36	1	104	6 x 1 x 6.6	0.8



JetGuard Safety Air Gun

Featuring a proprietary, protective air cone to shield against dangerous "chip fly-back." Perfect for close-in applications. Ergonomic, Classic+ pistol grip-style handle provides maximum user comfort.

Features

- Durable cast aluminum body with hanging hook
- Wide comfort trigger
- Safety air shield
- Pinned tamper-proof nozzle
- 1/4" FNPT inlet
- Meets OSHA standards

Part No.	Model/Description	Air Inlet FNPT (in)	Min. Compressor Required (hp)	Flow (cfm)	Output Thrust (lbs)	Noise Level (dBA)	Dimensions (L" x W" x H")	Weight (lbs)
74S	JetGuard Safety Air Gun	1/4	7.8	35	0.4	102	5 x 1 x 6.6	0.7



JetGuard with Volume Control Safety Air Gun

Featuring a proprietary, protective air cone to shield against dangerous "chip fly-back." Perfect for close-in applications. Ergonomic, Classic+ pistol grip-style handle provides maximum user comfort. Adjust the air flow from a whisper to a blast.

Features

- Durable cast aluminum body with hanging hook
- Wide comfort trigger
- Precision air volume control
- Safety air shield
- Pinned tamper-proof nozzle
- 1/4" FNPT inlet
- Meets OSHA standards

Part No.	Model/Description	Air Inlet FNPT (in)	Min. Compressor Required (hp)	Flow (cfm)	Output Thrust (lbs)	Noise Level (dBA)	Dimensions (L" x W" x H")	Weight (lbs)
74SK	JetGuard with Volume Control	1/4	7.8	35	0.4	102	5.5 x 1 x 6.6	0.7



Rubber Tip Safety Air Gun

Features a proprietary, protective air cone to shield against dangerous "chip fly-back" and a non-marring rubber tip. Perfect for close-in applications near painted or delicate surfaces. Additionally, the rubber tip's conical shape allows an air-tight connection when blowing out fluid lines and holes. Ergonomic, Classic+ pistol grip-style handle provides maximum user comfort.

Features

- Durable cast aluminum body with hanging hook
- Wide comfort trigger
- Safety air shield
- Rubber tip nozzle
- 1/4" FNPT inlet
- Meets OSHA standards

Part No.	Model/Description	Air Inlet FNPT (in)	Min Compressor Required (hp)	Flow (cfm)	Output Thrust (lbs)	Noise Level (dBA)	Dimensions (L" x W" x H")	Weight (lbs)
74RT	Rubber Tip Safety Air Gun	1/4	11.1	50	0.5	113	6.5 x 1 x 5.6	0.7



XtraThrust® Safety Air Gun

Features the XtraThrust Venturi nozzle, and delivers over 300% more thrust than conventional air guns. Designed for tough, close-in work. Features ergonomic, Classic+ pistol grip-style handle for maximum user comfort. Most powerful Guardair bench-top gun.

Features

- Durable cast aluminum body with hanging hook
- Full length comfort trigger
- Zinc alloy XtraThrust Venturi nozzle
- 1/4" FNPT inlet
- Meets OSHA standards

Part No.	Model/Description	Air Inlet FNPT (in)	Min. Compressor Required (hp)	Flow (cfm)	Output Thrust (lbs)	Noise Level (dBA)	Dimensions (L" x W" x H")	Weight (lbs)
75XXT	XtraThrust Safety Air Gun	1/4	12	54	2.5	108	5.5 x 1 x 6.6	0.8



AirMiser Safety Air Gun

Ideal safety air gun for cost conscious compressed air users. Delivers powerful thrust, sufficient for most applications, while at the same time minimizing air consumption. Ergonomic, Classic+ pistol grip-style handle provides maximum user comfort.

Features

- Durable cast aluminum body with hanging hook
- Wide comfort trigger
- Low flow brass nozzle
- 1/4" FNPT inlet
- Meets OSHA standards

Part No.	Model/Description	Air Inlet FNPT (in)	Min. Compressor Required (hp)	Flow (cfm)	Output Thrust (lbs)	Noise Level (dBA)	Dimensions (L" x W" x H")	Weight (lbs)
74H	AirMiser Safety Air Gun	1/4	2.2	10	0.6	98	5.6 x 1 x 6.6	0.7



WhisperJet® Safety Air Gun

First safety air gun to incorporate exclusive WhisperJet nozzle technology to reduce air gun noise. Solid conical tip prevents blockage of nozzle. Ideal for cleaning bench tops, work stations, or machinery in noise sensitive areas. Features ergonomic, Classic+ pistol grip-style handle for maximum user comfort.

Features

- Durable cast aluminum body with hanging hook
- Wide comfort trigger
- Powerful aluminum WhisperJet silencer nozzle
- 1/4" FNPT inlet
- Meets OSHA standards

Part No.	Model/Description	Air Inlet FNPT (in)	Min. Compressor Required (hp)	Flow (cfm)	Output Thrust (lbs)	Noise Level (dBA)	Dimensions (L" x W" x H")	Weight (lbs)
80WJ	WhisperJet Safety Air Gun	1/4	4.4	19	1.1	89	4.9 x 1 x 6.6	0.6



WhisperJet® with Volume Control Safety Air Gun

First safety air gun to incorporate exclusive WhisperJet nozzle technology to reduce air gun noise. Solid conical tip prevents blockage of nozzle. Ideal for cleaning bench tops, work stations, or machinery in noise sensitive areas. Features ergonomic, Classic+ pistol grip-style handle for maximum user comfort.

Features

- Durable cast aluminum body with hanging hook
- Wide comfort trigger
- Precision air volume control
- Powerful aluminum WhisperJet silencer nozzle
- 1/4" FNPT inlet
- Meets OSHA standards

Part No.	Model/Description	Air Inlet FNPT (in)	Min. Compressor Required (hp)	Flow (cfm)	Output Thrust (lbs)	Noise Level (dBA)	Dimensions (L" x W" x H")	Weight (lbs)
80	WhisperJet with Volume Control	1/4	4.4	19	1.1	89	5.4 x 1 x 6.6	0.7



Booster Safety Air Gun Series

Delivers all the features of the 74S but with 25% more thrust. Ideal for stubborn and difficult applications where only the most powerful air gun will do. Proprietary, protective air cone shields against dangerous "chip fly-back." Ergonomic, Classic+ pistol grip-style handle provides maximum user comfort.

Features

- Durable cast aluminum body with hanging hook
- Wide comfort trigger
- Pinned, tamper proof, air-shield nozzle
- Screw-on brass extension
- 1/4" FNPT Inlet
- Meets OSHA standards

Part No.	Model/Description	Air Inlet FNPT (in)	Min. Compressor Required (hp)	Flow (cfm)	Output Thrust (lbs)	Noise Level (dBA)	Dimensions (L" x W" x H")	Weight (lbs)
76S006	With 6" Extension	1/4	7.8	35	0.5	104	10.6 x 1 x 6.6	0.7
76S012	With 12" Extension	1/4	7.8	35	0.5	104	16.6 x 1 x 6.6	0.8
76S018	With 18" Extension	1/4	7.8	35	0.5	104	22.6 x 1 x 6.6	0.8
76S024	With 24" Extension	1/4	7.8	35	0.5	104	28.6 x 1 x 6.6	0.9



Long John® Safety Air Gun Series

Perfect tool for cleaning inaccessible and hard-to-reach areas. Ideal for blowing floor debris, cleaning masonry forms, tanks, ovens, molds, and rafters, as well as machinery and storage areas. Efficient Venturi nozzle boosts thrust up to 200% over conventional air guns, yet limits static pressure to less than 30 psi should the tip become blocked. Ergonomic, Classic+ pistol grip-style handle provides maximum user comfort.

Features

- Durable cast aluminum body with hanging hook
- Wide comfort trigger
- Rugged aluminum extension
- Powerful zinc alloy Venturi nozzle
- 1/4" FNPT inlet
- Meets OSHA standards
- 12", 24", and 36" available in 10 packs. See website.

Part No.	Model/Description	Air Inlet FNPT (in)	Min. Compressor Required (hp)	Flow (cfm)	Output Thrust (lbs)	Noise Level (dBA)	Dimensions (L" x W" x H")	Weight (lbs)
75LJ006AA	With 6" Extension	1/4	7.6	34	2	107	9.4 x 1 x 6.6	0.7
75LJ012AA	With 12" Extension	1/4	7.6	34	2	107	15.4 x 1 x 6.6	0.8
75LJ018AA	With 18" Extension	1/4	7.6	34	2	107	21.4 x 1 x 6.6	0.9
75LJ024AA	With 24" Extension	1/4	7.6	34	2	107	27.4 x 1 x 6.6	1.0
75LJ036AA	With 36" Extension	1/4	7.6	34	2	107	39.4 x 1 x 6.6	1.2
75LJ048AA	With 48" Extension	1/4	7.6	34	2	107	51.4 x 1 x 6.6	1.4
75LJ060AA	With 60" Extension	1/4	7.6	34	2	107	63.4 x 1 x 6.6	1.6
75LJ072AA	With 72" Extension	1/4	7.6	34	2	107	75.4 x 1 x 6.6	1.8



XtraThrust® Safety Air Gun Series

XtraThrust Series provides all the benefits of the Long John Series but with 40% more power. Ideal for the toughest applications and to move the heaviest debris, the XtraThrust nozzle generates over 300% more thrust compared to conventional air guns, yet limits static pressure to less than 30 psi should the tip become blocked. Ergonomic, Classic+ pistol grip-style handle provides maximum user comfort.

Features

- Durable cast aluminum body with hanging hook
- Full length comfort trigger
- Rugged aluminum extension
- Powerful zinc alloy XtraThrust nozzle
- 1/4" FNPT inlet
- Meets OSHA standards
- 12", 24", and 36" available in 10 packs. See website.

Part No.	Model/Description	Air Inlet FNPT (in)	Min. Compressor Required (hp)	Flow (cfm)	Output Thrust (lbs)	Noise Level (dBA)	Dimensions (L" x W" x H")	Weight (lbs)
75XT006AA	With 6" Extension	1/4	12	54	2.8	108	9.4 x 1 x 6.6	0.7
75XT012AA	With 12" Extension	1/4	12	54	2.8	108	15.4 x 1 x 6.6	0.8
75XT018AA	With 18" Extension	1/4	12	54	2.8	108	21.4 x 1 x 6.6	0.9
75XT024AA	With 24" Extension	1/4	12	54	2.8	108	27.4 x 1 x 6.6	1.0
75XT036AA	With 36" Extension	1/4	12	54	2.8	108	39.4 x 1 x 6.6	1.2
75XT048AA	With 48" Extension	1/4	12	54	2.8	108	51.4 x 1 x 6.6	1.4
75XT060AA	With 60" Extension	1/4	12	54	2.8	108	63.4 x 1 x 6.6	1.6
75XT072AA	With 72" Extension	1/4	12	54	2.8	108	75.4 x 1 x 6.6	1.8



WhisperJet® Safety Air Gun Series

Perfect tool for cleaning inaccessible and hard-to-reach areas. Ideal for cleaning and blowing debris in noise sensitive environments. WhisperJet nozzles reduce noise 6 to 20 dB compared to conventional air guns.

Features

- Durable cast aluminum body with hanging hook
- Wide comfort trigger
- Rugged aluminum extension
- Aluminum WhisperJet nozzle
- 1/4" FNPT inlet
- Meets OSHA standards
- 12", 24", and 36" available in 10 packs. See website.

Part No.	Model/Description	Air Inlet FNPT (in)	Min. Compressor Required (hp)	Flow (cfm)	Output Thrust (lbs)	Noise Level (dBA)	Dimensions (L" x W" x H")	Weight (lbs)
80LJ006AA	With 6" Extension	1/4	6.4	18	1.1	88	9.5 x 1 x 6.6	0.7
80LJ012AA	With 12" Extension	1/4	6.4	18	1.1	88	15.5 x 1 x 6.6	0.8
80LJ018AA	With 18" Extension	1/4	6.4	18	1.1	88	21.5 x 1 x 6.6	0.9
80LJ024AA	With 24" Extension	1/4	6.4	18	1.1	88	27.5 x 1 x 6.6	1.0
80LJ036AA	With 36" Extension	1/4	6.4	18	1.1	88	39.5 x 1 x 6.6	1.2
80LJ048AA	With 48" Extension	1/4	6.4	18	1.1	88	51.5 x 1 x 6.6	1.4
80LJ060AA	With 60" Extension	1/4	6.4	18	1.1	88	63.5 x 1 x 6.6	1.6
80LJ072AA	With 72" Extension	1/4	6.4	18	1.1	88	75.5 x 1 x 6.6	1.8



Flex Safety Air Gun Series

Flexible extension can be bent to any position to clean hard to reach places. No spring back or wander. Features quiet WhisperJet® nozzle, flexible extension, and Classic+ series grip.

Features

- Durable cast aluminum body with hanging hook
- Wide comfort trigger
- Aluminum WhisperJet nozzle
- Flexible synthetic rubber (160°F rated Modified Nitrile Type C2)
- 1/4" FNPT inlet
- Meets OSHA standards

Part No.	Model/Description	Air Inlet FNPT (in)	Min. Compressor Required (hp)	Flow (cfm)	Output Thrust (lbs)	Noise Level (dBA)	Dimensions (L" x W" x H")	Weight (lbs)
80FLEX12	With 12" Flex Extension	1/4	5.1	16	1	85	17.5 x 1 x 6.6	0.9
80FLEX18	With 18" Flex Extension	1/4	5.1	16	1	85	23.5 x 1 x 6.6	1.0
80FLEX24	With 24" Flex Extension	1/4	5.1	16	1	85	29.5 x 1 x 6.6	1.3
80FLEX36	With 36" Flex Extension	1/4	5.1	16	1	85	41.5 x 1 x 6.6	1.5



Nylon Safety Air Gun Series

Perfect for blowing out electrical cabinets and electronic equipment. Insulated nylon extension and nylon nozzle protects users from electrical shock hazards and protects equipment from damage due to accidental short circuits. Venturi nozzle boosts thrust up to 200% over conventional air guns, yet limits static pressure to less than 30 psi should the tip become blocked. Ergonomic Classic+ pistol grip-style handle with insulated plastic grip provides maximum comfort.

Features

- Durable cast aluminum body with hanging hook
- Wide comfort trigger
- Rugged nylon extension
- Powerful nylon nozzle
- 1/4" FNPT inlet
- Meets OSHA standards

Part No.	Model/Description	Air Inlet FNPT (in)	Min. Compressor Required (hp)	Flow (cfm)	Output Thrust (lbs)	Noise Level (dBA)	Dimensions (L" x W" x H")	Weight (lbs)
75LJ012NN	With 12" Extension	1/4	7.6	34	2	107	15.4 x 1 x 6.8	0.7
75LJ024NN	With 24" Extension	1/4	7.6	34	2	107	27.4 x 1 x 6.8	0.8
75LJ036NN	With 36" Extension	1/4	7.6	34	2	107	39.4 x 1 x 6.8	0.9

ThumbSwitch Safety Air Guns

Thumb-actuated, compact design for hard to reach areas.



SAURYA

Value Driven Safety



ThumbSwitch Safety Air Gun

Compact design fits comfortably in the palm of your hand. Venturi nozzle delivers safe, yet powerful thrust.

Features

- Durable, cast aluminum body
- Thumb operated, comfortable, steel trigger
- Aluminum Venturi nozzle
- 1/4" FNPT inlet
- Meets OSHA standards

Part No.	Model/Description	Air Inlet FNPT (in)	Min. Compressor Required (hp)	Flow (cfm)	Output Thrust (lbs)	Noise Level (dBA)	Dimensions (L" x W" x H")	Weight (lbs)
900	ThumbSwitch Safety Air Gun	1/4	3.6	16	1.1	97	5.1 x 1 x 2.9	0.3



ThumbSwitch with Air Shield Safety Air Gun

Compact thumb-switch style design fits comfortably in the palm of your hand. Venturi nozzle delivers safe yet powerful thrust. Safety air shield provides protection from dangerous "chip-fly-back."

Features

- Durable, cast aluminum body
- Thumb operated, comfortable, steel trigger
- Aluminum Venturi nozzle with safety air shield
- 1/4" FNPT inlet
- Meets OSHA standards

Part No.	Model/Description	Air Inlet FNPT (in)	Min. Compressor Required (hp)	Flow (cfm)	Output Thrust (lbs)	Noise Level (dBA)	Dimensions (L" x W" x H")	Weight (lbs)
900S	ThumbSwitch with Air Shield	1/4	4.9	22	0.2	97	5.1 x 1 x 2.9	0.3



ThumbSwitch Safety Air Gun Series

Compact thumb-switch style design fits comfortably in the palm of your hand. Venturi nozzle delivers safe yet powerful thrust.

Features

- Durable, cast aluminum body
- Thumb operated, comfortable, steel trigger
- Aluminum extension
- Aluminum Venturi nozzle
- 1/4" FNPT inlet
- Meets OSHA standards

Part No.	Model/Description	Air Inlet FNPT (in)	Min. Compressor Required (hp)	Flow (cfm)	Output Thrust (lbs)	Noise Level (dBA)	Dimensions (L" x W" x H")	Weight (lbs)
900LJ006AA	With 6" Extension	1/4	3.6	16	1.1	100	9.4 x 1 x 2.9	0.4
900LJ012AA	With 12" Extension	1/4	3.6	16	1.1	100	15.4 x 1 x 2.9	0.4
900LJ018AA	With 18" Extension	1/4	3.6	16	1.1	100	21.4 x 1 x 2.9	0.4
900LJ024AA	With 24" Extension	1/4	3.6	16	1.1	100	27.4 x 1 x 2.9	0.5
900LJ036AA	With 36" Extension	1/4	3.6	16	1.1	100	39.4 x 1 x 2.9	0.5
900LJ048AA	With 48" Extension	1/4	3.6	16	1.1	100	51.4 x 1 x 2.9	0.6
900LJ060AA	With 60" Extension	1/4	3.6	16	1.1	100	63.4 x 1 x 2.9	0.7
900LJ072AA	With 72" Extension	1/4	3.6	16	1.1	100	75.4 x 1 x 2.9	0.7



WhisperJet® ThumbSwitch Safety Air Gun

Compact thumb-switch style design fits comfortably in the palm of your hand. WhisperJet nozzle reduces noise 7 to 11 dBA compared to conventional Venturi nozzles.

Features

- Durable, cast aluminum body
- Thumb operated, comfortable, steel trigger
- Aluminum WhisperJet nozzle
- 1/4" FNPT inlet
- Meets OSHA standards

Part No.	Model/Description	Air Inlet FNPT (in)	Min. Compressor Required (hp)	Flow (cfm)	Output Thrust (lbs)	Noise Level (dBA)	Dimensions (L" x W" x H")	Weight (lbs)
980	WhisperJet ThumbSwitch	1/4	4.2	16	1	85	6.6 x 1 x 2.7	0.4



Compact ThumbSwitch Safety Air Gun Series

Our most compact design fits comfortably in the palm of your hand. Venturi nozzle delivers safe, yet powerful thrust.

Features

- Durable cast zinc body
- Thumb operated, rubber cushioned, steel trigger
- Convenient hanging hook
- Brass Venturi nozzle
- 1/4" FNPT inlet
- Meets OSHA standards

Part No.	Model/Description	Air Inlet FNPT (in)	Min. Compressor Required (hp)	Flow (cfm)	Output Thrust (lbs)	Noise Level (dBA)	Dimensions (L" x W" x H")	Weight (lbs)
970	Compact ThumbSwitch	1/4	1.8	8	0.6	104	3.8 x 0.7 x 2.6	0.3
970003S	With 3" Extension	1/4	1.8	8	0.6	104	6.6 x 0.7 x 2.6	0.3
970006S	With 6" Extension	1/4	1.8	8	0.6	104	9.6 x 0.7 x 2.6	0.4
970012S	With 12" Extension	1/4	1.8	8	0.6	104	15.5 x 0.7 x 2.6	0.4
970018S	With 18" Extension	1/4	1.8	8	0.6	104	21.5 x 0.7 x 2.6	0.5



XtraThrust® ThumbSwitch Safety Air Gun

Our most compact design fits comfortably in the palm of your hand. Triple-port Venturi nozzle delivers safe yet powerful thrust.

Features

- Durable cast zinc body
- Rubber cushioned, steel trigger
- Convenient hanging hook
- Triple-port nozzle
- 1/4" FNPT inlet
- Meets OSHA standards

Part No.	Model/Description	Air Inlet FNPT (in)	Min. Compressor Required (hp)	Flow (cfm)	Output Thrust (lbs)	Noise Level (dBA)	Dimensions (L" x W" x H")	Weight (lbs)
970XT	XtraThrust ThumbSwitch	1/4	1.8	8	0.7	106	4.6 x 0.7 x 2.6	0.4

Lazer[®] Safety Air Guns

Compact design for maximum user comfort.



SAURYA

Value Driven Safety



Lazer® PalmSwitch® Safety Air Gun

Featuring a revolutionary, contoured grip paired with a unique comfort trigger, the patented LZR600 is the ultimate palm switch style safety air gun. Designed to maximize operator comfort and reduce hand fatigue. Integrated hanging hook for intuitive storage and retrieval. Powerful, accurate. Perfect for DIY, automotive, and industrial cleaning applications.

Features

- Lightweight, all metal construction
- Ergonomic body with hanging hook
- Soft, over-molded rubber, comfort trigger
- Brass Venturi nozzle
- 1/4" FNPT inlet
- Meets OSHA standards

Part No.	Model/Description	Air Inlet FNPT (in)	Min. Compressor Required (hp)	Flow (cfm)	Output Thrust (lbs)	Noise Level (dBA)	Dimensions (L" x W" x H")	Weight (lbs)
LZR600	Lazer PalmSwitch	1/4	1.8	8	0.6	100	5.2 x 0.9 x 4	0.4



Lazer® Pistol Grip Safety Air Gun

With a unique, ergonomic, pistol-grip design, the LZR650 provides hours of fatigue-free operation. Integrated hanging eyelet for easy storage and retrieval. Powerful, accurate. Perfect for DIY, automotive, and industrial cleaning applications.

Features

- Lightweight, all metal construction
- Ergonomic body with hanging loop
- Wide, contoured trigger
- Brass Venturi nozzle
- 1/4" FNPT inlet
- Meets OSHA standards

Part No.	Model/Description	Air Inlet FNPT (in)	Min. Compressor Required (hp)	Flow (cfm)	Output Thrust (lbs)	Noise Level (dBA)	Dimensions (L" x W" x H")	Weight (lbs)
LZR650	Lazer Pistol Grip	1/4	1.8	8	0.6	100	5.1 x 0.9 x 4	0.5



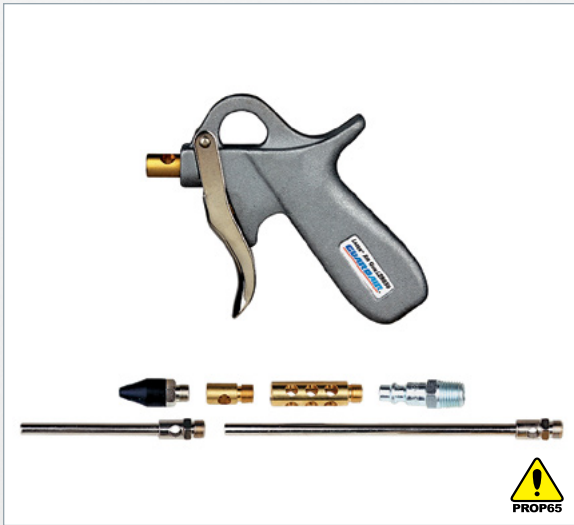
Lazer® PalmSwitch® Safety Air Gun Kit

Featuring a revolutionary, contoured grip paired with a unique comfort trigger, the patented LZR600 is the ultimate palm switch style safety air gun. Designed to maximize operator comfort and reduce hand fatigue. Integrated hanging hook for intuitive storage and retrieval. Powerful, accurate. Perfect for DIY, automotive, and industrial cleaning applications.

Features

- LZR600 PalmSwitch Safety Air Gun
- Brass Venturi nozzle
- Brass booster nozzle
- Rubber tip nozzle
- 3" Venturi extension
- 6" Venturi extension
- 1/4" NPT Industrial Interchange connector

Part No.	Model/Description	Air Inlet FNPT (in)	Min. Compressor Required (hp)	Flow (cfm)	Output Thrust (lbs)	Noise Level (dBA)	Dimensions (L" x W" x H")	Weight (lbs)
LZR6007KIT	Lazer PalmSwitch Kit	1/4	1.8	8	0.6	100	5.2 x 0.9 x 4	0.8



Lazer® Pistol Grip Safety Air Gun Kit

Featuring a revolutionary, contoured grip paired with a unique comfort trigger, the patented LZR600 is the ultimate palm switch style safety air gun. Designed to maximize operator comfort and reduce hand fatigue. Integrated hanging hook for intuitive storage and retrieval. Powerful, accurate. Perfect for DIY, automotive, and industrial cleaning applications.

Features

- LZR650 Pistol Grip Safety Air Gun
- Brass Venturi nozzle
- Brass booster nozzle
- Rubber tip nozzle
- 3" Venturi extension
- 6" Venturi extension
- 1/4" NPT Industrial Interchange connector

Part No.	Model/Description	Air Inlet FNPT (in)	Min. Compressor Required (hp)	Flow (cfm)	Output Thrust (lbs)	Noise Level (dBA)	Dimensions (L" x W" x H")	Weight (lbs)
LZR6507KIT	Lazer Pistol Grip Kit	1/4	1.8	8	0.6	100	5.1 x 0.9 x 4	0.9



Lazer® PalmSwitch® Safety Air Gun Series

Featuring a revolutionary, contoured grip paired with a unique comfort trigger, the patented LZR600 PalmSwitch Series provides the ultimate in extended reach capability. Designed to maximize operator comfort and reduce hand fatigue. Integrated hanging hook for intuitive storage and retrieval. Powerful, accurate. Perfect for DIY, automotive, and industrial cleaning applications.

Features

- Lightweight, all metal construction
- Ergonomic body with hanging hook
- Soft, over-molded rubber, comfort trigger
- Aluminum extension
- Aluminum Venturi nozzle
- 1/4" FNPT inlet
- Meets OSHA standards

Part No.	Model/Description	Air Inlet FNPT (in)	Min. Compressor Required (hp)	Flow (cfm)	Output Thrust (lbs)	Noise Level (dBA)	Dimensions (L" x W" x H")	Weight (lbs)
LZR600006AA	With 6" Extension	1/4	2.9	13	0.9	101	10.1 x 0.9 x 3.3	0.7
LZR600012AA	With 12" Extension	1/4	2.9	13	0.9	101	16.1 x 0.9 x 3.3	0.8
LZR600018AA	With 18" Extension	1/4	2.9	13	0.9	101	22.1 x 0.9 x 3.3	0.8
LZR600024AA	With 24" Extension	1/4	2.9	13	0.9	101	28.1 x 0.9 x 3.3	0.8
LZR600036AA	With 36" Extension	1/4	2.9	13	0.9	101	40.1 x 0.9 x 3.3	0.8
LZR600048AA	With 48" Extension	1/4	2.9	13	0.9	101	52.1 x 0.9 x 3.3	0.9
LZR600060AA	With 60" Extension	1/4	2.9	13	0.9	101	64.1 x 0.9 x 3.3	0.9
LZR600072AA	With 72" Extension	1/4	2.9	13	0.9	101	76.1 x 0.9 x 3.3	0.9



Lazer® Pistol Grip Safety Air Gun Series

With a unique, ergonomic, pistol-grip design, the LZR650 Pistol Grip Series provides extended reach capability and fatigue-free operation. Integrated hanging eyelet for easy storage and retrieval. Powerful, accurate. Perfect for automotive and industrial cleaning applications.

Features

- Lightweight, all metal construction
- Ergonomic body with hanging loop
- Wide, contoured trigger
- Aluminum extension
- Aluminum Venturi nozzle
- 1/4" FNPT inlet
- Meets OSHA standards

Part No.	Model/Description	Air Inlet FNPT (in)	Min. Compressor Required (hp)	Flow (cfm)	Output Thrust (lbs)	Noise Level (dBA)	Dimensions (L" x W" x H")	Weight (lbs)
LZR650006AA	With 6" Extension	1/4	3.3	15	1.1	101	9 x 0.9 x 5.1	0.6
LZR650012AA	With 12" Extension	1/4	3.3	15	1.1	101	15 x 0.9 x 5.1	0.7
LZR650018AA	With 18" Extension	1/4	3.3	15	1.1	101	21 x 0.9 x 5.1	0.7
LZR650024AA	With 24" Extension	1/4	3.3	15	1.1	101	27 x 0.9 x 5.1	0.7
LZR650036AA	With 36" Extension	1/4	3.3	15	1.1	101	39 x 0.9 x 5.1	0.8
LZR650048AA	With 48" Extension	1/4	3.3	15	1.1	101	51 x 0.9 x 5.1	0.8
LZR650060AA	With 60" Extension	1/4	3.3	15	1.1	100	63 x 0.9 x 5.1	0.9
LZR650072AA	With 72" Extension	1/4	3.3	15	1.1	100	75 x 0.9 x 5.1	1.0

Big Air Guns

Big and powerful safety air guns for heavy-duty industrial and construction applications.



SAURYA

Value Driven Safety



Force 5® Safety Air Gun Series

The most powerful safety air gun on the planet, the Force 5 Series is designed for heavy-duty industrial and construction cleaning applications. Built for the toughest environments, they deliver maximum compressed air when and where required. Featuring a dead-man trigger, the Force 5 Series is the safe alternative to dangerous, "home-made," ball valve actuated, open pipes. Engineered to be paired with tow-behind, or large in-plant compressors.

Features

- Rugged, lightweight, pistol-grip style aluminum handle
- Heavy-duty aluminum extension
- Adjustable auxiliary handle
- Powerful aluminum Venturi nozzle
- 3/4" FNPT inlet
- Meets OSHA standards

Part No.	Model/Description	Air Inlet FNPT (in)	Min. Compressor Required (hp)	Flow (cfm)	Output Thrust (lbs)	Noise Level (dBA)	Dimensions (L" x W" x H")	Weight (lbs)
F5024AA	With 24" Extension	3/4	41	185	12	121	36 x 10 x 12.5	4.5
F5036AA	With 36" Extension	3/4	41	185	12	121	48 x 10 x 12.5	4.9
F5048AA	With 48" Extension	3/4	41	185	12	121	60 x 10 x 12.5	5.3
F5060AA	With 60" Extension	3/4	41	185	12	121	72 x 10 x 12.5	5.7
F5072AA	With 72" Extension	3/4	41	185	12	121	84 x 10 x 12.5	6.1



Force 5® QuietForce® Safety Air Gun Series

Delivering high power at low noise levels, the Force 5 QuietForce Series is designed for heavy-duty industrial and construction cleaning applications where both attributes are required. Patented QuietForce nozzle features an array of micro-nozzles which produce high thrust at reduced noise levels. Featuring a dead-man trigger, the Force 5 QuietForce Series are the safe alternative to dangerous, "home-made," ball valve actuated, open pipes. Engineered to be paired with tow-behind, or large in-plant compressors.

Features

- Rugged, lightweight, pistol-grip style aluminum handle
- Heavy-duty aluminum extension
- Adjustable auxiliary handle
- QuietForce Nozzle
- 3/4" FNPT inlet
- Meets OSHA standards

Part No.	Model/Description	Air Inlet FNPT (in)	Min. Compressor Required (hp)	Flow (cfm)	Output Thrust (lbs)	Noise Level (dBA)	Dimensions (L" x W" x H")	Weight (lbs)
F5024AQF	With 24" Extension	3/4	29	130	7.1	101	32.8 x 10 x 12.5	4.4
F5036AQF	With 36" Extension	3/4	29	130	7.1	101	44.8 x 10 x 12.5	4.8
F5048AQF	With 48" Extension	3/4	29	130	7.1	101	56.8 x 10 x 12.5	5.2
F5060AQF	With 60" Extension	3/4	29	130	7.1	101	68.8 x 10 x 12.5	5.6
F5072AQF	With 72" Extension	3/4	29	130	7.1	101	80.8 x 10 x 12.5	6.0



Inforcer® Safety Air Gun Series

Designed as the “in-line” version of the Force 5, the Inforcer excels in heavy-duty industrial and construction cleaning applications. Built for the toughest environments, they deliver maximum compressed air where and when required. Featuring a dead-man trigger, the Inforcer Series are the safe alternative to dangerous, “home-made,” ball valve actuated, open pipes. Engineered to be paired with tow-behind, or large in-plant compressors.

Features

- Thermally insulated, in-line style, aluminum handle
- Heavy-duty aluminum extension
- Adjustable auxiliary handle
- Powerful aluminum Venturi nozzle
- 3/4" FNPT inlet
- Meets OSHA standards

Part No.	Model/Description	Air Inlet FNPT (in)	Min. Compressor Required (hp)	Flow (cfm)	Output Thrust (lbs)	Noise Level (dBA)	Dimensions (L" x W" x H")	Weight (lbs)
INF5024AA	With 24" Extension	3/4	41	185	12	121	34.4 x 3.4 x 12.5	4.1
INF5036AA	With 36" Extension	3/4	41	185	12	121	46.4 x 3.4 x 12.5	4.5
INF5048AA	With 48" Extension	3/4	41	185	12	121	58.4 x 3.4 x 12.5	4.8
INF5060AA	With 60" Extension	3/4	41	185	12	121	70.4 x 3.4 x 12.5	5.2
INF5072AA	With 72" Extension	3/4	41	185	12	121	82.4 x 3.4 x 12.5	5.6



Inforcer® QuietForce® Safety Air Gun Series

Delivering high power at low noise levels, the Inforcer QuietForce is designed for heavy-duty industrial and construction cleaning applications where both attributes are required. Patented QuietForce nozzle features an array of micro-nozzles which produce high thrust at reduced noise levels. Featuring a dead-man trigger, the Inforcer Series are the safe alternative to dangerous, “home-made,” ball valve actuated, open pipes. Engineered to be paired with tow-behind, or large in-plant compressors.

Features

- Thermally insulated, in-line style, aluminum handle
- Heavy-duty aluminum extension
- Adjustable auxiliary handle
- QuietForce® nozzle
- 3/4" FNPT inlet
- Meets OSHA standards

Part No.	Model/Description	Air Inlet FNPT (in)	Min. Compressor Required (hp)	Flow (cfm)	Output Thrust (lbs)	Noise Level (dBA)	Dimensions (L" x W" x H")	Weight (lbs)
INF5024AQF	With 24" Extension	3/4	29	130	7.1	101	31.2 x 3.4 x 12.5	4.0
INF5036AQF	With 36" Extension	3/4	29	130	7.1	101	43.2 x 3.4 x 12.5	4.4
INF5048AQF	With 48" Extension	3/4	29	130	7.1	101	55.2 x 3.4 x 12.5	4.8
INF5060AQF	With 60" Extension	3/4	29	130	7.1	101	67.2 x 3.4 x 12.5	5.1
INF5072AQF	With 72" Extension	3/4	29	130	7.1	101	79.2 x 3.4 x 12.5	5.5



Inforcer® Steel Safety Air Gun Series

Combining striking tool and air gun capabilities, the unique Inforcer Steel is perfect for surface preparation, roadwork, and concrete repair. Built for the toughest environments, they deliver maximum compressed air when and where required. Featuring a hardened steel chisel point nozzle and dead-man trigger, they are the safe alternative to dangerous, "home-made," ball valve actuated, open pipes. Engineered to be paired with tow-behind, or large in-plant compressors.

Features

- Thermally insulated, in-line style, steel handle
- Rugged steel extension
- Adjustable auxiliary handle
- Hardened steel, chisel point nozzle
- 3/4" FNPT inlet
- Meets OSHA standards

Part No.	Model/Description	Air Inlet FNPT (in)	Min. Compressor Required (hp)	Flow (cfm)	Output Thrust (lbs)	Noise Level (dBA)	Dimensions (L" x W" x H")	Weight (lbs)
INF5024SS	With 24" Extension	3/4	41	185	12	121	35 x 3.4 x 12.5	8.1
INF5036SS	With 36" Extension	3/4	41	185	12	121	47 x 3.4 x 12.5	8.9
INF5048SS	With 48" Extension	3/4	41	185	12	121	59 x 3.4 x 12.5	9.7
INF5060SS	With 60" Extension	3/4	41	185	12	121	71 x 3.4 x 12.5	10.6
INF5072SS	With 72" Extension	3/4	41	185	12	121	83 x 3.4 x 12.5	11.4



HydroForce® Power Wash Gun Series

Heavy-duty HydroForce power washer combines compressed air and standard municipal utility water to generate superior cleaning power. No external pressure unit or power package; requires no electricity, or gasoline. Single trigger operation provides convenient air/water operation. Turn off water with water shutoff valve (included) for air-only drying. Virtually maintenance free. Hot or cold water capable. Perfect for mobile applications where portability is at a premium.

Features

- Rugged, lightweight, ergonomic aluminum handle
- Stainless steel extension
- Adjustable auxiliary handle
- Aluminum safety tip nozzle
- Max water temperature - 200°F
- Air - 3/4" FNPT
- Water - Garden hose connector (female)
- Meets OSHA standards

Part No.	Model/Description	Air Inlet FNPT (in)	Syphon Flow Rate (gpm)	Flow (cfm)	Output Thrust (lbs)	Noise Level (dBA)	Dimensions (L" x W" x H")	Weight (lbs)
HYD024SSA	With 24" Extension	3/4	3.4	140	13.5	99	38 x 10 x 19.9	6.7
HYD036SSA	With 36" Extension	3/4	3.4	140	13.5	99	50 x 10 x 19.9	7.7
HYD048SSA	With 48" Extension	3/4	3.4	140	13.5	99	62 x 10 x 19.9	8.5

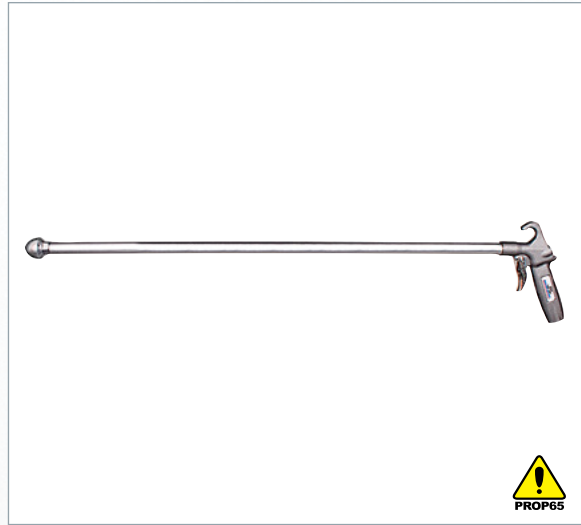
Specialty Air Guns

Air guns for specialty applications.



SAURYA

Value Driven Safety



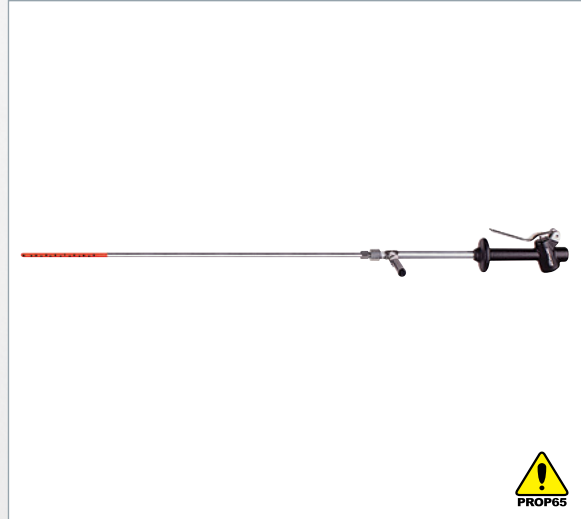
ReverseForce® Air Gun

Harnessing the power of compressed air, the ReverseForce Air Gun effectively extracts metal chips and debris from deep inside axle housings, hydraulic cylinders, machine cavities and gear boxes. Faster than conventional cleaning methods, the ReverseForce extracts rather than drives chips and debris further into interior of machinery. Light-weight and easy to handle.

Features

- Durable cast aluminum body with hanging hook
- Wide comfort trigger
- Rugged, 48" aluminum extension
- Powerful, aluminum ReverseForce Nozzle
- 1/4" FNPT inlet

Part No.	Model/Description	Air Inlet FNPT (in)	Min. Compressor Required (hp)	Flow (cfm)	Noise Level (dBA)	Dimensions (L" x W" x H")	Weight (lbs)
75RF048AA	ReverseForce Air Gun	1/4	8.2	37	93	51 x 1.4 x 6.6	1.4



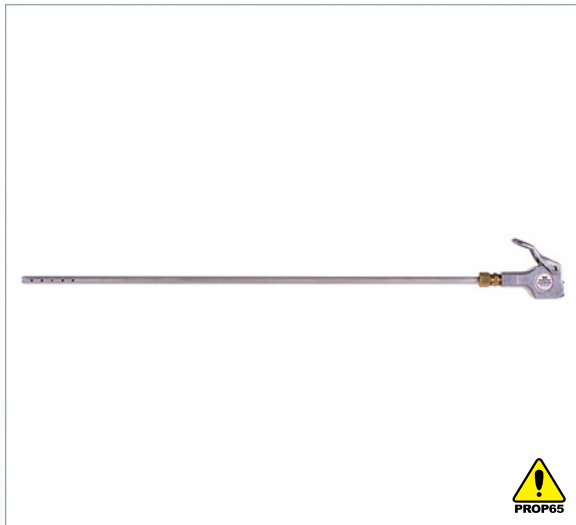
Radiator Gun

Airborne dust, dirt, trash and debris can be a real problem for cooling systems in heavy equipment and vehicle engines. Ineffective cleaning of radiator fins and other surfaces can lead to engine overheating or failure. Designed to quickly and effectively blast away debris, the Radiator Gun features a bi-directional multi-port, linear nozzle that delivers a powerful, wide spray pattern of compressed air. Featuring a 1/2" diameter, 60" heavy-duty stainless steel extension, this configuration provides unparalleled cleaning within hard-to-access radiator housings and engine bays. Equipped with a 3/4" FNPT inlet, the Radiator Gun can also be ordered with a swivel universal coupling. Compressed air is typically supplied by a 185 cfm tow-behind, or stationary in-plant compressor.

Features

- Multi-port linear, 95 cfm nozzle
- 1/2" diameter, 60" stainless steel extension
- In-line style handle with thermally insulated grip
- Adjustable auxiliary handle
- 3/4" FNPT Inlet

Part No.	Model/Description	Air Inlet FNPT (in)	Min. Compressor Required (hp)	Flow (cfm)	Noise Level (dBA)	Dimensions (L" x W" x H")	Weight (lbs)
INRG060SS	Radiator Gun	3/4	21	95	101	69.4 x 12.5 x 4.7	4.7
INRG060SSJ34	Radiator Gun with Swivel Universal Coupling	3/4	21	95	101	72.1 x 12.5 x 4.7	5.5



Filter Cleaning Gun Series

Extend the life of expensive air filters with the Filter Cleaning Gun – an essential tool for general maintenance and automotive use. Powered by standard shop compressed air, the bi-directional, multi-port nozzle delivers a linear spray pattern of compressed air from opposite sides of the nozzle. Perfect for removing impurities from various types of air filters. Effectively cleans radiators and other surfaces.

Features

- Easier and more efficient than traditional manual cleaning
- Unique bi-directional design eliminates dangerous “extension whipping” commonly experienced when air can only exit one direction
- Multiple extension lengths available (12", 24", 36" and 48")
- Comfortable, thumb-switch style trigger
- Lightweight, aluminum construction
- 1/4" FNPT inlet

Part No.	Model/Description	Air Inlet FNPT (in)	Min. Compressor Required (hp)	Flow (cfm)	Output Thrust (lbs)	Noise Level (dBA)	Dimensions (L" x W" x H")	Weight (lbs)
900FG012	With 12" Extension	1/4	6	24	0.6	92	15 x 1 x 2.9	0.4
900FG024	With 24" Extension	1/4	6	24	0.6	92	27 x 1 x 2.9	0.4
900FG036	With 36" Extension	1/4	6	24	0.6	92	39 x 1 x 2.9	0.5
900FG048	With 48" Extension	1/4	6	24	0.6	92	51 x 1 x 2.9	0.6



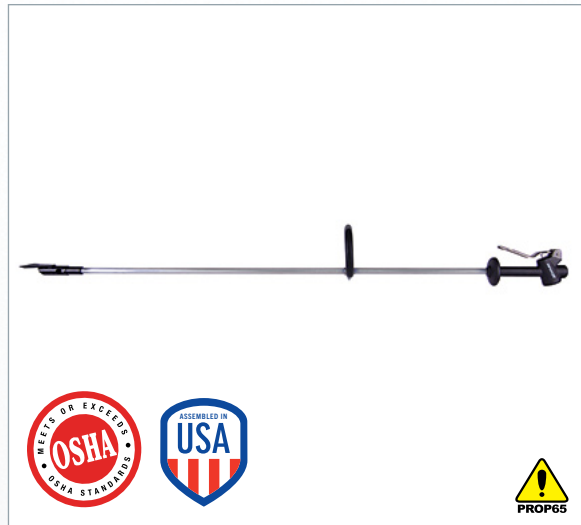
Blind Hole® Safety Air Gun Series

Specifically designed to clean out blind holes in metal, wood, and plastic work pieces. Delivers a high velocity jet of air into deep crevices and blind holes to flush out chips and dirt. Proprietary, protective air cone shields against dangerous “chip fly-back.” Ergonomic, Classic+ pistol grip-style handle provides maximum user comfort.

Features

- Durable cast aluminum body with hanging hook
- Wide comfort trigger
- Safety air shield
- 3/16" OD brass extension with 1/8" OD plastic stylus tip
- 1/4" FNPT inlet
- Meets OSHA standards

Part No.	Model/Description	Air Inlet FNPT (in)	Min. Compressor Required (hp)	Flow (cfm)	Output Thrust (lbs)	Noise Level (dBA)	Dimensions (L" x W" x H")	Weight (lbs)
74BH006Z	With 6" Extension	1/4	7.8	35	0.1	103	12 x 1 x 6.6	0.7
74BH012Z	With 12" Extension	1/4	7.8	35	0.1	103	18 x 1 x 6.6	0.7
74BH018Z	With 18" Extension	1/4	7.8	35	0.1	103	24 x 1 x 6.6	0.7
74BH024Z	With 24" Extension	1/4	7.8	35	0.1	103	30 x 1 x 6.6	0.8



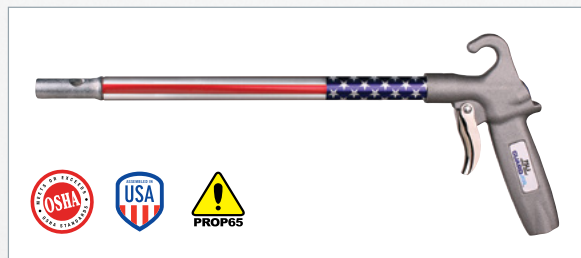
Inforcer® Steel with Scraper Nozzle Safety Air Gun

Featuring a hardened, steel scraper nozzle and Inforcer style handle, this safety air gun provides superior scraping and chiseling power coupled with compressed air to blast away debris. Commonly used in foundries for breaking slag off the walls of crucibles, in construction for demo work, or on railways for track maintenance. Comes with a 60" steel extension and handle to withstand heavy impact. OSHA compliant.

Features

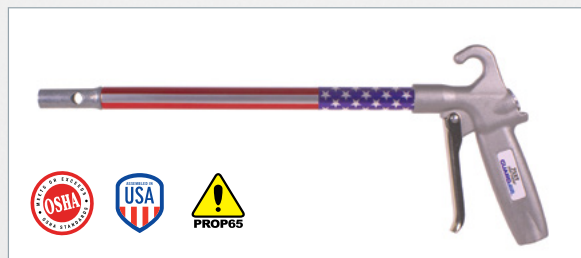
- Thermally insulated, in-line style, steel handle
- Rugged 60" steel extension
- Heavy-duty adjustable auxiliary handle
- Hardened steel, scraper nozzle
- 3/4" FNPT inlet
- Meets OSHA standards

Part No.	Model/Description	Air Inlet FNPT (in)	Min. Compressor Required (hp)	Flow (cfm)	Noise Level (dBA)	Dimensions (L" x W" x H")	Weight (lbs)
INF5060SNS	Inforcer Steel 60" with Scraper Nozzle	3/4	41	185	121	72.3 x 3.4 x 12.5	12



Long John® 75LJ Safety Air Gun with US Flag Markings

The perfect tool for cleaning inaccessible and hard-to-reach areas, Long John® safety air guns are used for blowing floor debris, cleaning masonry forms, tanks, ovens, molds, and rafters, as well as machinery and storage areas. Efficient venturi nozzle boosts thrust up to 200% over conventional air guns, yet limits static pressure to less than 30 psi should the tip become blocked. Ergonomic, Classic+ pistol grip-style handle provides maximum user comfort. AVAILABLE in 12" LENGTH. See website.



XtraThrust® 75XT Safety Air Gun with US Flag Markings

Guardair's XtraThrust® Series provides all the benefits of the Long John® Series but with 40% more power. Ideal for the toughest applications and to move the heaviest debris, the XtraThrust nozzle generates over 300% more thrust compared to conventional air guns, yet limits static pressure to less than 30 psi should the tip become blocked. Ergonomic, Classic+ pistol grip-style handle provides maximum user comfort. AVAILABLE in 12" LENGTH. See website.

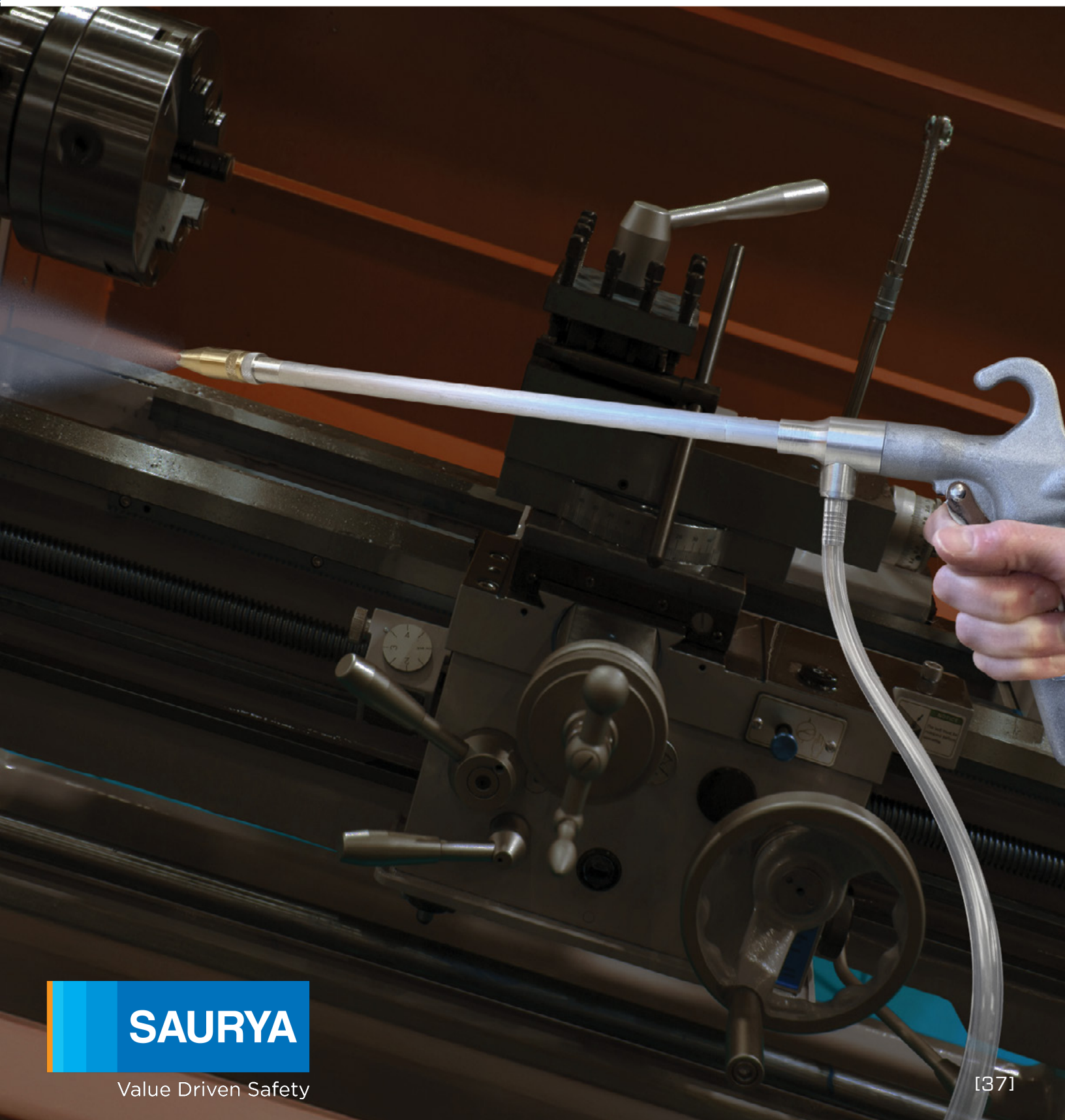


WhisperJet® 80LJ Safety Air Gun with US Flag Markings

The perfect tool for cleaning inaccessible and hard-to-reach areas, powerful 80LJ WhisperJet® Series safety air guns are used for cleaning and blowing debris in noise sensitive environments. WhisperJets nozzle reduces noise 6 to 20 dB compared to conventional air guns. AVAILABLE in 12" LENGTH. See website.

Syphon Guns

Pneumatic spray guns designed to spray a wide variety of liquids.



SAURYA

Value Driven Safety

[371



Syphon Gun

Economical 79SG Syphon Gun features a powerful syphon that delivers up to 12 gallons of liquid per hour. Incorporates separate liquid shutoff valve for operating flexibility. Easy to clean. Classic+ pistol-grip style handle provides maximum user comfort.

Features

- Durable cast aluminum body with hanging hook
- Wide comfort trigger
- Liquid shutoff valve
- 6' long, 1/4" ID, clear PVC feed tube with brass sinker
- 1/4" ID aluminum nozzle
- 1/4" FNPT inlet

Part No.	Model/Description	Air Inlet FNPT (in)	Min. Compressor Required (hp)	Flow (cfm)	Syphon Flow Rate (gph)	Dimensions (L" x W" x H")	Weight (lbs)
79SG	Syphon Spray Gun	1/4	2	9	12	5 x 1.8 x 6.6	0.9



Syphon Spray Gun Series

Designed for heavy-duty use, the versatile Syphon Spray Gun is ideal for spraying oils, solvents, insecticides, and coatings. Powerful syphon delivers up to 16 gallons of liquid per hour. Features 12" extension for spraying hard-to-reach locations Adjustable nozzle tip controls flow and spray pattern. Classic+ pistol-grip style handle provides maximum user comfort.

Features

- Durable cast aluminum body with hanging hook
- Wide comfort trigger
- 6', 1/4" ID, clear PVC feed tube with brass sinker
- Rugged aluminum extension
- Brass nozzle tip
- 1/4" FNPT inlet

Part No.	Model/Description	Air Inlet FNPT (in)	Min. Compressor Required (hp)	Flow (cfm)	Syphon Flow Rate (gph)	Dimensions (L" x W" x H")	Weight (lbs)
79SG006	With 6" Extension	1/4	2	9	16	12.3 x 1 x 6.6	1.1
79SG012	With 12" Extension	1/4	2	9	16	18.3 x 1 x 6.6	1.1
79SG018	With 18" Extension	1/4	2	9	16	24.3 x 1 x 6.6	1.2
79SG024	With 24" Extension	1/4	2	9	16	30.3 x 1 x 6.6	1.3
79SG036	With 36" Extension	1/4	2	9	16	42.3 x 1 x 6.6	1.4
79SG048	With 48" Extension	1/4	2	9	16	54.3 x 1 x 6.6	1.6
79SG060	With 60" Extension	1/4	2	9	16	66.3 x 1 x 6.6	1.7

Note: Fluids incompatible with zinc, aluminum, brass, Buna-n and PVC not recommended for use with Guardair Syphon Guns.



Syphon Gun

The 79SGM Syphon Gun is designed for the toughest spray jobs imaginable. Powerful syphon delivers up to 12 gallons of liquid per hour. Precision air volume control ensures spray repeatability. One quart steel canister screws into gun body, eliminating feed tubes and buckets, and reduces the risk of spills. Classic+ pistol-grip style handle provides maximum user comfort. Conforms to MIL-G-952 Type 1.

Features

- Durable cast aluminum body with hanging hook
- Wide comfort trigger
- Precision air volume control
- One quart, screw-on, steel canister
- 6" rigid, 12" flexible, nylon extensions
- 1/4" FNPT inlet

Part No.	Model/Description	Air Inlet FNPT (in)	Min. Compressor Required (hp)	Flow (cfm)	Syphon Flow Rate (gph)	Dimensions (L" x W" x H")	Weight (lbs)
79SGM	Syphon Spray Gun	1/4	1.8	8	12	6.5 x 4.5 x 7.6	1.6



Pneumatic Oil Gun

Perfect for lubricating automobiles, trucks, construction equipment, and machinery, the 83SG Pneumatic Oil Gun delivers up to 15 gallons of liquid per hour. 12" extension reaches inaccessible locations while the adjustable nozzle tip controls flow and spray pattern. Precision air volume control ensures spray repeatability. One quart steel container screws into gun body. Classic+ pistol-grip style handle provides maximum user comfort. Conforms to MIL-O-14 559C.

Features

- Durable cast aluminum body with hanging hook
- Wide comfort trigger
- Precision air volume control
- One quart, screw-on, steel canister
- 12" extension with adjustable nozzle tip
- 1/4" FNPT inlet

Part No.	Model/Description	Air Inlet FNPT (in)	Min. Compressor Required (hp)	Flow (cfm)	Syphon Flow Rate (gph)	Dimensions (L" x W" x H")	Weight (lbs)
83SG	Pneumatic Oil Gun	1/4	2	9	15	20 x 4.5 x 7.6	1.7

Note: Fluids incompatible with zinc, aluminum, brass, Buna-n and PVC not recommended for use with Guardair Syphon Guns.



WaterJet Cleaning Gun

79WG WaterJet Cleaning Gun is ideal for cleaning farm and construction equipment, automobiles, trucks, or livestock. Delivers turbulent, high velocity, air/water stream for the toughest cleaning jobs. Equipped with air volume control and water shutoff valve, user can choose air/water for cleaning, water only for rinse, or air only for drying. Features 15" stainless steel extension for spraying hard-to-reach locations. Classic+ pistol-grip style handle provides maximum user comfort.

Features

- Durable cast aluminum body with hanging hook
- Precision air volume control and water shutoff valve
- 15" stainless steel extension with insulated grip
- Aluminum safety tip nozzle
- Max water temperature - 200° F
- Air inlet - 1/4" FNPT
- Liquid inlet - 3/4" garden hose (female)
- Meets OSHA standards

Part No.	Model/Description	Air Inlet FNPT (in)	Min. Compressor Required (hp)	Flow (cfm)	Syphon Flow Rate (gph)	Dimensions (L" x W" x H")	Weight (lbs)
79WG	WaterJet Cleaning Gun	1/4	3.3	15	22	19.1 x 1.9 x 6.6	1.5



WaterJet Cleaning Gun Kit

79WGD WaterJet Cleaning Gun Kit is ideal for cleaning farm and construction equipment, automobiles, trucks, or livestock. Delivers turbulent, high velocity, air/water stream for the toughest cleaning jobs. Equipped with air volume control and water shutoff valve, user can choose air/water for cleaning, water only for rinse, or air only for drying. Coupler allows multiple syphon options. Features 15" stainless steel extension for spraying hard-to-reach locations. Classic+ pistol-grip style handle provides maximum user comfort.

Features

- Durable cast aluminum body with hanging hook
- Precision air volume adjustment and water shutoff valve
- 15" stainless steel extension with insulated grip
- Aluminum safety tip nozzle
- 6' feed tube with brass sinker; 3/4" garden hose adapter
- Maximum recommended water temperature - 200° F
- Air inlet - 1/4" FNPT
- Liquid inlet - 1/4" US Industrial Interchange
- Meets OSHA standards

Part No.	Model/Description	Air Inlet FNPT (in)	Min. Compressor Required (hp)	Flow (cfm)	Syphon Flow Rate (gph)	Dimensions (L" x W" x H")	Weight (lbs)
79WGD	WaterJet Cleaning Gun Kit	1/4	3.3	15	22	19.1 x 1.9 x 7.5	2.1

Safety Air Gun Accessories

Upgrade and accessorize your safety air gun.



SAURYA

Value Driven Safety

[411]



On-Guard® Chip Shield

Protect against dangerous “chip fly-back” with the Guardair On-Guard Chip Shield. OSHA Standard 1910.242(b) mandates that effective chip-guarding be utilized when cleaning with compressed air. Slide the On-Guard onto a safety air gun for immediate compliance. Ideal for bench-top or up-close cleaning applications.

Part No.	Model/Description
200A65	PalmJet Models
200A66	Long John, XtraThrust, WhisperJet, Ultra Models*
200A67	ReverseForce Models

* Extended reach models only



500A20

Sidekick Auxiliary Support Handle

Provides extra stability and control for your extended reach gun. Clamps in any position or orientation. Twist to tighten. Fits all Guardair Long John, XtraThrust, WhisperJet and Ultra Series Air Guns



Slip-on Grip

Soft plastic slip-on grip provides thermal protection and extra comfort for air gun users. Slips on and stays on. Fits all Guardair Classic+ style handles. Quickly install with heat gun.

Part No.	Model/Description
350G01	Blue Slip-on Grip
350G02	Blue Slip-on Grip (12 pack)
350G05	Black Slip-on Grip



QTSN140

Quiet-Test Silencer Nozzle

Test tow-behind compressors in the “full-on” mode safely and quietly with Quiet-Test Silencer Nozzle. Patented QuietForce technology reduces noise levels up to 20 dB.



510A01

HydroForce® Shoulder Strap

Comfortable shoulder strap clips onto HydroForce handle to reduce fatigue. Transfers weight from hands to shoulders.



510A20

Pigtail Hose Assembly for HydroForce®

5' air/water pigtail hose assembly maximizes the utility of the HydroForce. Minimizes hose kinking; eases handling.

Replacement Parts

Repair kits and parts for your safety air gun.



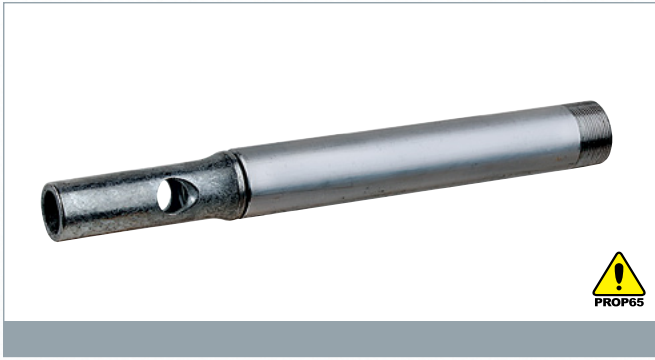
SAURYA

Value Driven Safety

NOZZLE REPLACEMENT PARTS

	For Model No.	Description	Part No.	Nozzle Material	Nozzle Thread
	74H	AirMiser Nozzle	74HNB	Brass	Male 1/8-27 NPS
	74RT	Rubber Tip Nozzle	74NRT	Rubber Tip Steel Threads	Male 1/8-27 NPS
	74S 74SK	JetGuard Nozzle* *not compatible with 74E, 76S, or 74BH series	74N02A*	Brass	Male 1/8-27 NPS
	LZR600 LZR650 970	Brass Venturi Nozzle	LZRN02	Brass	Male 1/8-27 NPS
	LZR600 LZR650 970XT	Brass Triple-Port Nozzle	LZRN03	Brass	Male 1/8-27 NPS
	900 900S	Venturi Nozzle Venturi Nozzle with Air Shield	900NA 900SNA	Aluminum Aluminum	Male 1/4-18 NPT
	75LJ U75LJ	Venturi Nozzle	75LJNA-1 75LJNS 75LJNN 75LJNB	Zinc Alloy Steel Nylon Brass	Male 5/8-28 UN
	75XT U75XT	XtraThrust Nozzle	75XTNA-1 75XTNS 75XTNN	Zinc Alloy Steel Nylon	Male 5/8-28 UN
	80LJ U80LJ	WhisperJet Nozzle	80LJNA	Aluminum	Female 3/4-32 UN
	80WJ	WhisperJet Nozzle	80WJNA	Aluminum	Male 3/4-32 UN
	80FLEX 980	WhisperJet Nozzle	84CNA	Aluminum	Male 1/4-18 NPT
	F5 INF5	Venturi Nozzle	500NA 550N01	Aluminum Steel	Female 1/2-14 NPT
	F5 INF5	QuietForce Nozzle	500NGF	Aluminum Body Steel Shroud	Female 1/2-14 NPT
	HYD	HydroForce Nozzle	510N02	Aluminum	Female 1/2-14 NPT





Extension with Venturi Nozzle

Aluminum extension with Venturi nozzle. For Classic+ and Ultra handles. 6" to 72" lengths available. 3/4"-32 UN male thread.

See website for all extensions



Venturi Nozzle with Aluminum Extension

Aluminum extension with Venturi Nozzle for Force 5 and Inforcer handles. 24" to 72" lengths available. 1/2"-14 NPT male thread.

See website for all extensions



Extension with XtraThrust® Nozzle

Aluminum extension with XtraThrust nozzle. For Classic+ and Ultra handles. 6" to 72" lengths available. 3/4"-32 UN male thread.

See website for all extensions



Chisel Point Nozzle & Steel Extension

Steel extension with hardened steel chisel point nozzle for Inforcer Steel handle. 24" to 72" lengths available. 1/2"-14 NPT male thread.

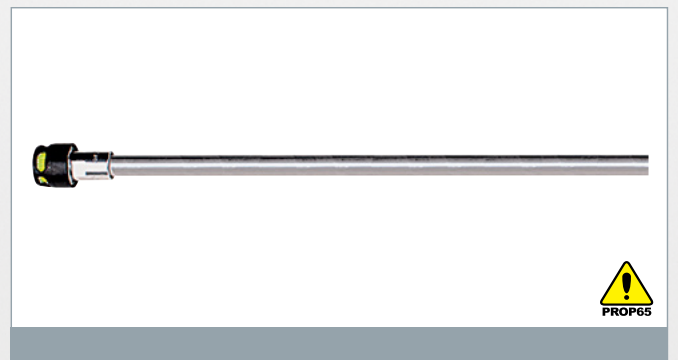
See website for all extensions



Extension with WhisperJet® Nozzle

Aluminum extension with WhisperJet nozzle. For Classic+ and Ultra handles. 6" to 72" lengths available. 3/4"-32 UN male thread.

See website for all extensions



QuietForce® Nozzle & Aluminum Extension

QuietForce nozzle/extension assembly for Force 5 and Inforcer handles. Rugged, lightweight QuietForce nozzle delivers high power, low noise cleaning capability. 24" to 72" lengths available. 1/2"-14 NPT male thread.

See website for all extensions



Valve Repair Kit

Refurbish Guardair safety air guns.

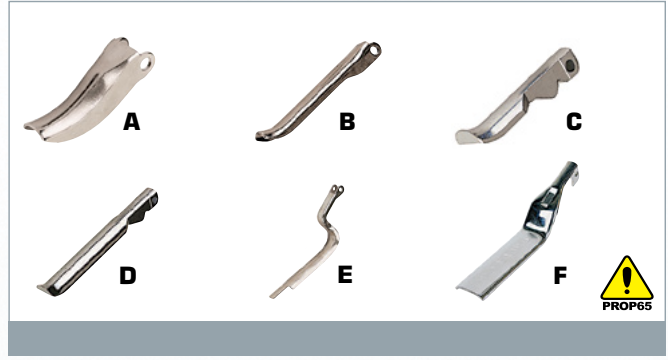
Part No.	Description	Models
74PK01	Standard Valve Repair Kit	74BH, 74H, 74S, 74RT, 76S, 80WJ, 80LJ, 75LJ, 75XT, 79SG, 1500, 1510, 1548, U75LJ, U75XT, U80, U80LJ, U80WJ
74PK03	Volume Adjust Repair Kit	57S, 74SK, 80, 79SGM, 79WG, 83SG
900K01	900 Valve Repair Kit	900, 900S, 900LJ, 980
500K01	Big Air Gun Valve Repair Kit	F5, INF5, HYD



Gun Rebuild Kit

Includes valve repair kit and trigger repair kit.

Part No.	Description	Figure
400K02	For Ultra Series with Short Trigger	A
400K03	For Ultra Series with Long Trigger	B



Trigger Repair Kit

Includes new trigger and rivet.

Part No.	Description	Figure
TRP01	Classic+ Short Trigger Repair Kit	A
TRP02	Classic+ Long Trigger Repair Kit	B
TRU01	Ultra Short Trigger Repair Kit	C
TRU02	Ultra Long Trigger Repair Kit	D
500K02-1	Force 5 Trigger Repair Kit	E
550K02	Inforcer Trigger Repair Kit	F



510K01

HydroForce® Shuttle Valve Maintenance Kit

Replace the HydroForce shuttle valve with this 6 piece, maintenance kit.

Shop Accessories

Keep your shop organized with innovative solutions from Guardair.



SAURYA

Value Driven Safety



Chip Collector Lid

Maintain a clean shop environment with the Chip Collector Lid. Captures metal chips and airborne oils generated when cleaning newly machined parts with compressed air. Wide opening with adjustable, clear-view shield provides for safe inspection of parts while cleaning. Chips and oils deflect into barrel below for easy disposal. Includes dual, removable part bins, and hanging hooks for your favorite safety air gun or tools. Compatible with any 55 gallon drum or 44 & 55 gallon trash barrel.

Features

- Chemical resistant, lightweight polyethylene body
- Wide (11" x 15") opening with adjustable, clear-view shield
- Fits standard 55 gallon drum or 44 & 55 gallon trash barrels
- Dual, removable part bins
- Front drip tray
- Top storage tray

Part No.	Description	Dimensions (L" x W" x H")	Weight (lbs)
CC250	Chip Collector Lid	30.5 x 34.5 x 18	13.8



QuickSelect™ Tool Rack

Keep your favorite tools within easy reach with the QuickSelect Tool Rack. Organize your shop and avoid searching through drawers, or piles of clutter for that special tool. Made from heavy-duty aluminum, the QuickSelect features an array of slots and holes sized to accommodate most popular tools, such as Allen wrenches, dead blow hammers, screwdrivers, and safety air guns. Also included is a plastic bushing for storing sensitive instruments such as tool holders or gauges, making the QuickSelect the perfect accessory for CNC machining centers. Presents a slim profile without intruding into active workspaces.

Choose from two versions -- with eight holes for custom mounting, or with dual, high-strength magnets for quick mounting on steel surfaces.

Features

- Durable, 1/8" aluminum construction
- 15 holes and slots sized for the most popular tools
- 1-3/4" diameter hole with removable plastic bushing
- Multiple mounting options
- Magnets provide 190 lbs. axial holding force
- 12" L x 5" W x 4" H

Part No.	Description	Dimensions (L" x W" x H")	Weight (lbs)
200A70	QuickSelect Tool Rack - Non-Magnetic	12 x 5 x 4	0.8
200A75	QuickSelect Tool Rack - Magnetic	12 x 5 x 4	2.0



200A30

Gunslinger®

Provides a convenient place to store extended reach safety air guns. Keeps tools ready for immediate use. No drilling required. Strong magnets grip iron or steel surfaces.

Features

- Sturdy, high density polyethylene
- Tube: 12" Long x 1-1/4" ID
- Magnets: 3-1/4" OD
- Up to 190 lbs of combined holding strength
- Weight 1.4 lbs



200A40

MagHook

Hang your air gun from any iron or steel surface with this versatile, magnetic hanging hook. No drilling required.

Features

- Rugged, metal construction
- Hook measures 2-1/4" long
- Magnet: 3-1/4" OD
- Axial holding force of 95 lbs
- Weight 0.6 lbs



200A50

MagLoop

Hang your air gun from any iron or steel surface with this versatile, magnetic hanging loop. No drilling required.

Features

- Rugged, metal construction
- Large 2" ID loop
- Magnet: 3-1/4" OD
- Axial holding force of 95 lbs
- Weight 0.6 lbs

GUARDAIR WARRANTIES

WARRANTIES AND WARRANTY PERIODS

Guardair products listed below are covered under the following WARRANTIES along with their respective WARRANTY PERIODS:

Standard, NED, ATEX Certified, PULSEAIR Equipped Pneumatic Vacuums and Dust Extractors

Forever Warranty – Forever Warranty Period

Safety Air Guns and Accessories

Limited Warranty – One Year Warranty Period

Vacuum Consumables, Accessories and Attachments

Limited Warranty – 90 Day Warranty Period

Vacuum consumables include filters, exhaust silencers, and cover gaskets. Accessories include air supply hose, vacuum hose, and other attachments.

FOREVER WARRANTY

Guardair Corporation (“Guardair”) warrants its Standard and NED Pneumatic Vacuums are free from defects in materials and workmanship for as long as the original end-user purchaser owns the product, except as provided below. Guardair will, at its option, repair or replace with a comparable product, any product, part, or component that fails under normal use as a result of such defect.

This Forever Warranty does not apply to damage caused by the carrier; normal wear and tear; deterioration due to solvents, corrosives, environmental conditions, or harsh vacuumed material; soiling, saturation, or perforation of filters or exhaust silencers; consumable components; modifications to the product; attachments to the product not sold by Guardair; or any product not installed, used, or maintained in accordance with the foregoing and other published Guardair instructions and warnings.

This Forever Warranty covers the original purchase of a new Standard and NED Pneumatic Vacuum by an end-user purchaser for normal industrial or commercial use, and only when installed and used as specified and in accordance with

published operating instructions and within all applicable regulatory rules, limits, and guidelines.

Guardair’s sole obligation and the end-user purchaser’s exclusive remedy under this Forever Warranty shall be limited to the repair or replacement, of product or components. In no event shall Guardair be responsible for special, consequential, or incidental damages arising out of a claim for defective product or failure of warranty. All labor and material costs of repair or replacement under this Forever Warranty shall be the responsibility of Guardair. Shipping costs to and from the end-user purchaser associated with repair or replacement under this Forever Warranty shall be the responsibility of Guardair for a period of One Year after date of purchase.

To obtain service under this Forever Warranty, the end-user purchaser must contact the Distributor from whom the product was purchased or contact Guardair directly. The end-user purchaser must provide a reasonable opportunity for inspection and investigation of the claim, prior to any repairs or alteration to the product. Until the claim is resolved, the end-user purchaser must discontinue use of the product if continued use creates or exacerbates problems associated with, or incidental to, the defect.

Proof of purchase will be verified by the end-user purchaser and applicability of the Forever Warranty will be determined by Guardair. Guardair at its sole discretion will determine whether to repair or replace defective parts or products. Written return authorization from Guardair must be obtained before any product can be returned. Any unauthorized repairs performed by parties other than Guardair or its authorized Distributors will void this Forever Warranty.

LIMITED WARRANTY

Guardair Corporation (“Guardair”) warrants that, under normal use, our products are free from defects in materials or workmanship during the Limited Warranty Period. Starting from the date of purchase and during the Limited Warranty Period, Guardair will, at our sole discretion, repair or replace defective parts or products. This Limited Warranty extends only to products that are purchased either directly from Guardair Corporation or from an authorized Guardair Distributor. Furthermore, the Limited Warranty extends only

GUARDAIR WARRANTIES

to products which are used for their intended purpose. This Limited Warranty does not extend to any product which has been misused, or that has been damaged from accident or mistreatment, from the use of parts not supplied by Guardair, or from modification or servicing of the product by anyone other than Guardair or its authorized Distributor.

Guardair's sole obligation and the end-user purchaser's exclusive remedy under this Limited Warranty shall be limited to the repair or replacement, of product or components. In no event shall Guardair be responsible for special, consequential, or incidental damages arising out of a claim for defective product or failure of warranty. All labor and material costs of repair or replacement under this Limited Warranty shall be the responsibility of Guardair. Shipping costs to and from the end-user purchaser associated with repair or replacement under this Limited Warranty shall be the responsibility of Guardair during the Limited Warranty Period.

To obtain service under this Limited Warranty, the end-user purchaser must contact the Distributor from whom the product was purchased or contact Guardair directly. The end-user purchaser must provide a reasonable opportunity for inspection and investigation of the claim, prior to any repairs or alteration to the product. Until the claim is resolved, the end-user purchaser must discontinue use of the product if continued use creates or exacerbates problems associated with, or incidental to, the defect.

Proof of purchase will be verified by the end-user purchaser and applicability of the Limited Warranty will be determined by Guardair. Guardair at its sole discretion will determine whether to repair or replace defective parts or products. Written return authorization from Guardair must be obtained before any product can be returned. Any unauthorized repairs performed by parties other than Guardair or its authorized Distributors will void this Limited Warranty.

THE FOREGOING WARRANTIES OF GUARDAIR CORPORATION ARE IN LIEU OF ALL OTHER WARRANTIES OF GUARDAIR CORPORATION, EXPRESSED OR IMPLIED, WITH RESPECT TO THE PRODUCT, INCLUDING WITHOUT LIMITATION WARRANTIES OF MERCHANTABILITY OR FITNESS FOR A PARTICULAR PURPOSE. GUARDAIR CORPORATION EXPRESSLY DISCLAIMS ALL WARRANTIES NOT STATED IN THESE WARRANTIES. IN NO EVENT SHALL GUARDAIR CORPORATION BE LIABLE FOR ANY INDIRECT, SPECIAL OR CONSEQUENTIAL DAMAGES IN CONNECTION WITH OUR PRODUCTS.

GUARDAIR CORPORATION ASSUMES NO RESPONSIBILITY OR LIABILITY WHATSOEVER FOR ANY PRODUCTS WHICH ARE ALTERED OR MODIFIED IN ANY FASHION, OR WHICH ARE USED IN A MANNER FOR WHICH THEY WERE NOT ORIGINALLY INTENDED.

THE PURCHASER MAY HAVE CERTAIN STATUTORY RIGHTS, AS A CONSUMER, OR OTHERWISE, TO WHICH THE EXCLUSIONS SET FORTH IN THIS LIMITED WARRANTY DO NOT APPLY.

THESE WARRANTIES ONLY APPLY TO PURCHASES WITHIN, AND PRODUCTS USED WITHIN THE UNITED STATES AND CANADA.



Value Driven Safety

Distributed by: SAURYA HSE PVT LTD

HO: C-112A, Kailash Business Park, Veer Sawarkar Marg, Vikhroli (West), Mumbai – 400079.

T: +91 22 4065 5555 | E: info@sauryahse.com | W: www.sauryahse.com