



## MICA IL-800 ZONE 0 and MICA IL-800 ZONE 1

### USER INSTRUCTIONS

ATEX Directive Compliant  
IECEx Scheme Certified

The Finnish MICA series rechargeable lamps are efficient and reliable tools.

To get the best benefit from your lamp, read these user instructions before using the product. Use of the Mica product must be controlled and accepted by the operator. Personnel using the Mica product must be authorised by the operator or a designated representative. The operator is responsible for the correct use and maintenance of the product. Repair of the Mica product must be carried out by a competent party that is authorised by the manufacturer.

#### NOTE CORRECT CERTIFICATION:

MICA IL-800 is available in two certified versions. **Check that the certification of your lamp is correct to the environment where it is used! Certification is marked to the ID-Plate.**



#### BEFORE USE:

The battery self discharges during storage and it must be recharged prior to use.

The lamp is charged using a MICA **charger suitable for the lamp and the charger must never be placed in a potentially explosive environment.** We recommend that you always store the lamp in its charger. Please read the manual for the charger as well.

**Manufacturer: ATEXOR OY**  
**P.O.Box 89, FIN-60101 SEINÄJOKI**  
**Tel: +358-207 343 250**  
**Internet: [www.atexor.com](http://www.atexor.com)**

**SAURYA**

Value Driven Safety

# MICA IL-800 Hand Lamp Manual

## USE:

Operating switch of the IL-800 lamp has three modes: LOW POWER → HIGH POWER → OFF.

Operating time of the lamp after it has been fully charged depends on the mode chosen using the switch. When there is approximately 1/2h operating time left (depending on ambient temperature and condition of battery), the light will begin to flash every 15 seconds. In special circumstances, the lamp can be switched on after the battery has been discharged whereupon the lamp will function for a short period of time. We do not, however, recommend this because it shortens the lifetime of the battery.

If the lamp is used only for short periods of time between charges, we recommend that the lamp is left on and be completely discharged after every tenth time it has been used. When the battery is discharged, control electronics will automatically switch off the lamp in due time before there is a danger of deep discharge in the battery cells. The battery will be charged from empty to full in approx. 5.5 hours with MICA ILC4 Charger (depending on ambient temperature and condition of the battery).

## Emergency light model (IL-800 EM):

The IL-800 EM model lamp has an emergency light mode: when placed in the charging stand it will always remain in stand-by mode and will be switched on if mains voltage is cut off. When lamp is in EM mode and installed to the charger the LEDs will glow dimly.

## Blinking light model (IL-800 BK):

The IL-800 BK model has blinking mode instead of “low power -mode”. Operation switch of the lamps has modes: BLINK → HIGH POWER → OFF.

## MAINTENANCE & SPARE PARTS:

**Users may replace only those parts that are listed in spare parts list and can be purchased as spare parts from MICA dealer. Replacing other parts is allowed only by MICA SERVICE! Note that the certification issued for the MICA IL-800 lamp requires that only original MICA spare parts are used in the lamp.**

When the battery becomes old, operating time of the lamp will become shorter. If the operating time is disturbingly short even though the battery has been fully charged, the battery must be replaced. **Replacing battery and PCB-cards is allowed only by authorized MICA SERVICE!**

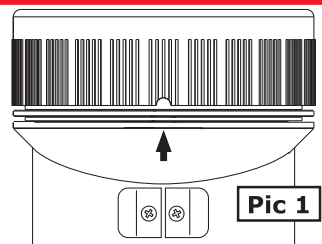
When performing maintenance tasks, the lamp must often be at least partially disassembled. The lamp must be disassembled according to the instructions below:

**A:** Unscrew the locking ring (1) and remove the glass lens and o-ring (2). Open three bolts (2,0mm hex key) which hold the reflector and remove the reflector (4).

**B:** Disconnect the red/black wire of the connector in LED-PCB. Open six bolts (2,0mm hex key) which hold aluminium LED-module and remove the LED-module (5).

**C:** Now you can change the parts.

**Assembly:** Assemble the lamp in reverse order. Be sure that all wires run freely! Tighten the locking ring so that the marking (dot) on the locking ring meets the centerline of lamp enclosure (arrow). If necessary apply lubricant to the locking ring thread (e.g. mineral oil based). See “Pic 1”.



## SPARE PARTS:

Note that the certificate issued for the MICA IL-800 lamp requires that only original MICA spare parts are used in the lamp. You can change the shape of the beam by choosing narrow or wide LED-lenses, which are available as optional spare parts.

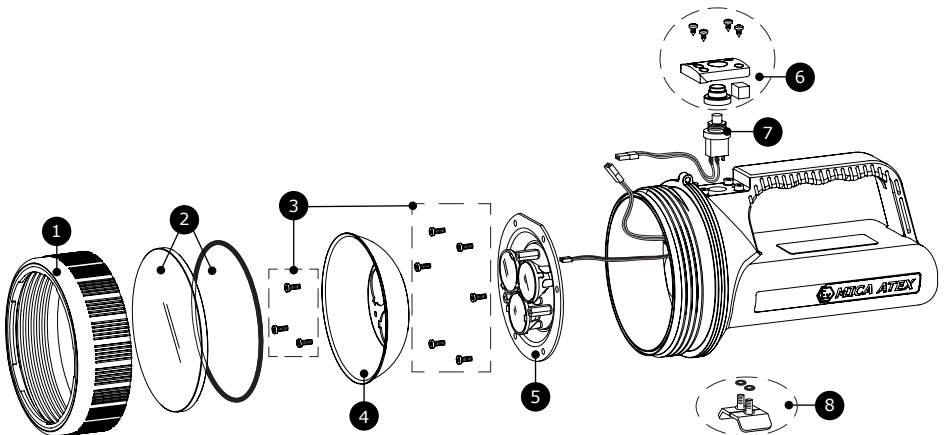
When ordering spare parts and accessories, please give the type and serial number of the IL-800.

## SPARE PART LIST:

- |   |            |  |
|---|------------|--|
| 1 | MH0104_4   | Locking ring                                     |
| 2 | M01297_X   | Glass lens and O-ring                            |
| 3 | MH0180_1   | Hex socket bolt set (9pcs)                       |
| 4 | M02828     | Reflector (3 LED)                                |
| 5 | MH0181_1   | LED-module (PCB and al-plate with narrow-lenses) |
| 5 | MH0181_2   | LED-module (PCB and al-plate with wide-lenses)   |
| 6 | MH0101_4   | Switch fitting with parts                        |
| 7 | M03356     | IL-800 switch                                    |
| 8 | M00957 x 2 | Charger contact set                              |
| 9 | M03363 x 3 | Narrow beam LED-lens set to IL-800               |
| 9 | M03364 x 3 | Wide beam LED-lens set to IL-800                 |

## ACCESSORIES:

MICA EX carrying strap	Code: 70706
MICA lamp stand	Code: M11265
MICA ILC charger	Code: ILC
MICA ILC-VAC charger (EURO)	Code: ILCVAC
MICA ILC-VAC charger (UK)	Code: ILCVACUK
MICA ILC-VAC charger (US)	Code: ILCVACUS



**NOTE! The lamp must NOT be charged or opened in potentially explosive environments! And any maintenance operations may NOT be performed in potentially explosive environments!**

**CERTIFICATION:****MICA IL-800 ZONE 0**

II 1G Ex ia IIC T4 Ga  
 II 2D Ex tb IIIC T100°C IP67 Db  
 TÜV 10 ATEX 7878 IECEx TUR 11.0008

**MICA IL-800 ZONE 1**

II 2G Ex ib IIC T4 Gb  
 II 2D Ex tb IIIC T100°C IP67 Db  
 TÜV 10 ATEX 7879 IECEx TUR 11.0009

**MICA IL-800 SAFETY INSTRUCTIONS:**

Taking lamp into use:

- Cleaning and any inspection of IL-800 must always be performed prior to moving into potentially explosive environment.
- Charger must not be placed in potentially explosive environments. Lamp may not be charged in potentially explosive environment.

**Use:**

- Ensure that the certification of potentially explosive environment complies with that issued for lamp.
- Lamp may not be opened in potentially explosive environments.
- If lamp becomes out of condition, remove it immediately from potentially explosive environment.

**Maintenance of lamp:**

- Only parts listed in Spare Parts List are allowed to be replaced by user.
- Lamp may be maintained by electrical technicians only.
- Maintenance operations must be performed outside of potentially explosive environments.
- Charger must never be placed in a potentially explosive environment.
- Spare parts may be original MICA spare parts only.
- If the ID-Plate is unreadable or missing lamp is not valid for use in potentially explosive environments.

**TECHNICAL SPECIFICATIONS:**

Battery:	NiMH 6V	Bulbs:	CREE Power LEDs (3 pcs)
Glass lens:	110.5 x 5mm	Operating times:	LOW POWER over 12 hours HIGH POWER over 6 hours
LED-lenses:	narrow or wide beam	Charging time:	5.5h
Operation temperature:	-20°C...+40°C	Correct chargers	
Protection class:	IP-67	for IL-800 series:	MICA ILC4, ILC4-VAC, CR-13, CR-15
Dimensions (h x w x d):	121 x 121 x 216 mm		
Weight:	1.1kg		

**TERMS AND CONDITIONS OF GUARANTEE**

A two-year guarantee from the purchase date is granted for the MICA lamp and charger, covering any manufacturing and material defects according to generally applicable terms and conditions of guarantee.

Please note that the guarantee period for the battery is six months. The guarantee becomes void if the adjustment values of the electronics components have been changed or if any components have been damaged in any other way. Under the warranty period, the lamp may be serviced by an authorized Atexor service agent only. For maintenance repair, please send the lamp and the charger stand as well as the purchase receipt with the product. Note! A new MICA lamp/battery must be taken into use or recharged within three (3) months of manufacture.

The device has a NIMH battery and electronics inside, please use required actions when disposing of the device.



© ATEXOR OY

We reserve the right to make changes to these user instructions without advance notice.

ATEXOR