

FOREVER WARRANTY

Guardair Corporation warrants the Mac Vac to be free from defects in materials and workmanship for as long as the original end-user purchaser owns the product, except as provided below. Guardair will, at its option, repair or replace with comparable product, any product, part, or component, which fails under normal use as a result of such defect. This warranty does not apply to damage caused by the carrier; normal wear and tear; deterioration due to solvents, corrosives, environmental conditions or harsh vacuumed material; soiling, saturation, or perforation of filters or exhaust silencers; consumable components; modifications to the product; attachments to the product not sold by Guardair; or any product not installed, used, or maintained in accordance with the foregoing and other published Guardair instructions and warnings.

Consumable components purchased from Guardair, including attachments, vacuum hose, filters, exhaust silencers, and cover gaskets are warranted for a period of 90 days against defects in materials and workmanship, subject to the same exclusions noted above.

This warranty covers the original purchase of new product by an end-user for normal industrial or commercial use only when installed and used as specified and in accordance with published operating instructions and within all applicable regulatory rules, limits, and guidelines.

THIS WARRANTY IS THE ONLY WARRANTY MADE BY GUARDAIR FOR THIS PRODUCT, AND ALL OTHER WARRANTIES, EXPRESS OR IMPLIED, INCLUDING BUT NOT LIMITED TO THE IMPLIED WARRANTIES OF MERCHANTABILITY AND FITNESS FOR A PARTICULAR PURPOSE ARE DISCLAIMED.

Guardair's sole obligation and the end-user purchaser's exclusive remedy under this warranty shall be limited to the repair or replacement, at the sole discretion of Guardair, of product or components. In no event shall Guardair be responsible for special, consequential or incidental damages arising out of a claim for defective product or failure of warranty. All labor and material costs of repair or replacement under this warranty shall be the responsibility of Guardair. Shipping costs to and from the purchaser associated with repair or replacement under this warranty shall be the responsibility of Guardair for a period of one year from the date of sale, and shall be the responsibility of the purchaser thereafter.

This warranty applies to purchasers within and products used within the United States and Canada only.

To obtain service under this warranty, within 30 days of the discovery of the defect, the end-user purchaser must contact the dealer or distributor from whom the product was purchased, or contact Guardair at the address shown below. The purchaser must provide a reasonable opportunity for inspection and investigation of the claim, prior to any repairs or alteration to the product. Until the claim is resolved, the purchaser must discontinue use of the product if continued use creates or exacerbates problems associated with, or incidental to, the defect. Proof of purchase will be verified by the selling party and applicability of the warranty will be determined by Guardair. Guardair will determine whether to provide replacement parts, provide repair service or replace the product. Written approval from Guardair must be obtained before any warranty work is performed. Any repairs performed by persons other than Guardair or its authorized dealers or distributors will void this warranty.

QUESTIONS? Contact Guardair with any questions concerning application, operation, and performance of the Guardair Mac Vac, regardless of the original purchase date.

WARNING!

Fire/Explosion Danger

Guardair vacuums, like all other electric and pneumatic vacuums can potentially generate static electric charges. The use of static conductive hoses in conjunction with Guardair vacuums are intended to control and eliminate static electric shocks only to the operators of the vacuums. Guardair vacuums are NOT APPROVED for use in any hazardous (classified) location, such as locations determined under NFPA 70 (National Electrical Code) to be Class I (flammable liquids, gases and vapors - includes all Class I Divisions and IEC Zones), Class II (combustible dust - includes all Class II Divisions and IEC Zones) and Class III (ignitable fibers and flyings - includes all Class III Divisions and IEC Zones).

MV2000

Mac Vac Operating Manual



GUARDAIR®

SAURYA

Value Driven Safety

SET-UP AND OPERATION

Congratulations, you have purchased a Guardair Mac Vac! This lightweight, rugged 5.5 gallon pneumatic vacuum runs on standard shop compressed air and mounts on any vertical surface, thus saving floor space. Mac Vac has no electrical motor to burn out, generates no sparks, and has no power cords to trip over. Maintenance is low and it's engineered for wet/dry applications with a liquid shut-off and canister drain. Emptying the polyethylene canister is quick and easy and the cartridge filter is simple to replace.

For Your Safety

Make sure all compressed air connections to the compressed air supply are secure and the air line is turned off at the nearest valve. Disconnect compressed air connections only after the compressed air supply has been turned off and the air line had been vented by opening the valve on the vacuum head. NEVER disconnect a pressurized compressed air line.

Air Supply

Adequate compressed air supply is essential to the proper performance of the Mac Vac. Compressed air requirements include a 3/8" ID air line equipped with a 3/8" FNPT compatible connector.

NOTE: These requirements are for compressed air volume, not pressure. The recommended operating pressure for Mac Vac is 80-120 psi, although the unit will operate at lower pressures with a corresponding reduction in performance.

Set-Up and Operation

Mount the mounting plate as close as practical to the work area and hang the vac unit on the plate. Make sure the vacuum head is securely on the collection canister with both clamps locked. Trim the vacuum hose as necessary. To do so, unscrew (turn clockwise) a hose cuff and cut the hose with a knife or saw blade. Reattach the hose cuff.

NOTE: Keep the vacuum hose length to a minimum required for the job to maximize vacuum performance.

For dry pickup, install the cartridge filter. For wet pickup the filter must be removed and can be done so by loosening the wing nut which holds it in place. Attach the vacuum hose to the vacuum inlet and the other end to the crevice tool. Once the compressed air connections are made, operate by turning on the compressed air supply and opening the shut-off valve on the vacuum head.

Emptying Collection Canister

To empty waste from the canister, turn the shut-off valve to off position, disconnect air line, remove unit from the mounting plate, and set on a flat surface. Unfasten latches, lift the vacuum head off the canister, and empty the debris. For liquids, loosen the drain valve, and drain into another container.

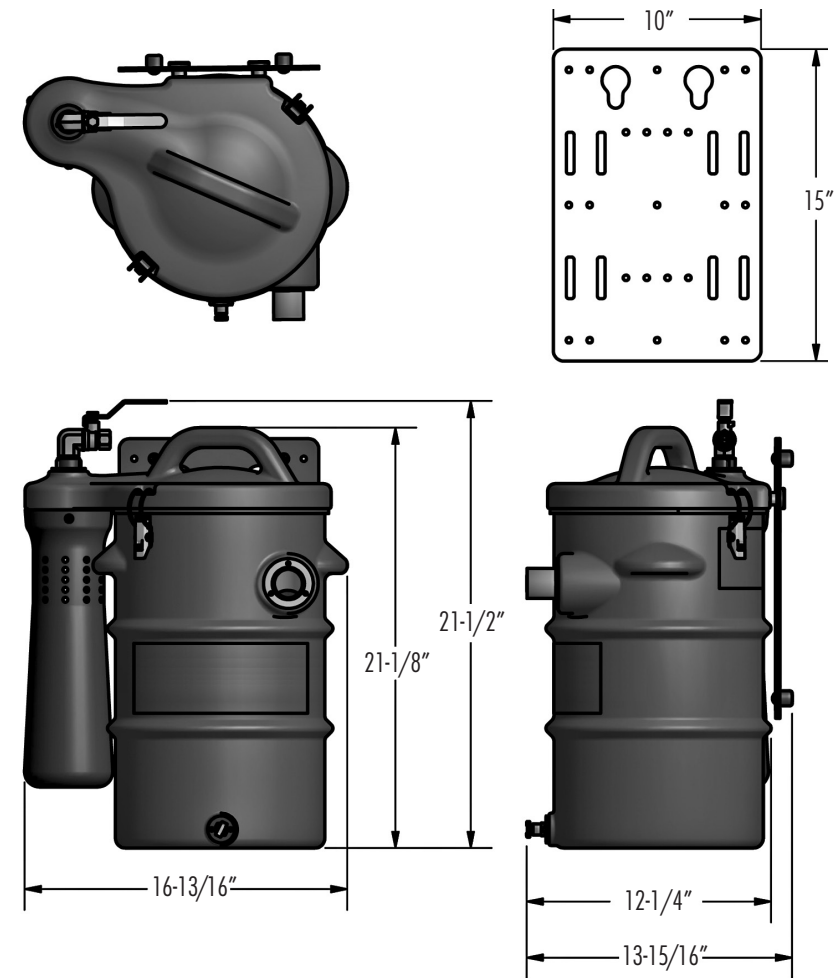
WARNING: Do not loosen latches and remove canister while unit is mounted on mounting plate.

Maintenance

Mac Vac is rugged and practically maintenance free, however the Cartridge Filter (MV2000F1) will need cleaning or replacement when dirty. Periodically check the Gasket (MV2000G) and replace if worn or damaged. The Exhaust Bag (MV2000EB) provides added filter protection and serves as a muffler. Clean and replace if ripped or damaged. These parts can be purchased directly from Guardair or from your Mac Vac distributor. See REPLACEMENT PARTS for a complete list.

Questions? Contact Guardair Customer Service at 800.482.7324.

TECHNICAL SPECS



CAPACITY

NOMINAL: 5.5 GALLONS
 DRY: 3.5 GALLONS
 WET: 4 GALLONS

WEIGHT

VAC (EMPTY CARRYING WEIGHT): 13 LBS
 MOUNTING PLATE: 4.5 LBS

MATERIAL

VACUUM UNIT: POLYETHYLENE
 MOUNTING PLATE: STEEL

AIR REQUIREMENTS

AIR CONSUMPTION: 21 CFM
 AIR PRESSURE: 100 PSI
 INLET: 3/8" FNPT

VACUUM PERFORMANCE

VACUUM FLOW: 73 CFM
 VACUUM HEAD: 77 IN H₂O
 NOISE LEVEL: 88 DBA

FILTRATION

CARTRIDGE FILTER
 77% EFFICIENT @ 0.8 MICRONS

VACUUM HOSE

SIZE: 1-1/2" ID
 LENGTH: 10'

MOUNTING OPTIONS

Mac Vac hangs on the mounting plate by two steel knobs (fig 1). Rubber bumpers (included) space the plate away from the mounting surface so that the steel knobs can reach thru and slide into the two slots (fig 2).

The rubber bumpers can be screwed onto the mounting plate to any desired location (fig 3). As seen in (fig 4), holes are usually in pairs, allowing fasteners to be placed close to a bumper. Though not necessary, this practice will keep the mounting plate flat.

The thickness of the mounting plate plus the bumper is 5/8". Recommended fasteners include:



Lashing Strap — Max 2" width. Strap mounting plate to support columns or other structure without drilling.



Concrete Anchors



Carriage Bolts



Wood Lag Bolts



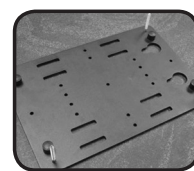
(fig 1)



(fig 2)

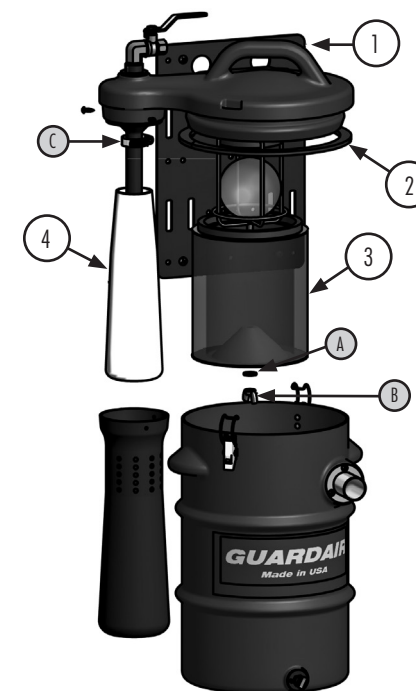


(fig 3)



(fig 4)

REPLACEMENT PARTS



1	MV2000MP	Mounting Plate
2	MV2000G	Gasket
3	MV2000F1	Cartridge Filter — Includes Washer (A) and Wingnut (B)
—	MV2000F2	HEPA Filter — Includes Washer (A) and Wingnut (B)
4	MV2000EB	Exhaust Bag — Includes Hose Clamp (C)
5	N69110	Vacuum Hose 1-1/2" ID x 10'
6	N693P	Crevice Tool 1-1/2" OD



Always wear eye and ear protection when operating air tools and related equipment.