

TECHNICAL DATA SHEET

LARGE SPECIAL PURPOSE BLADE NO. 160060

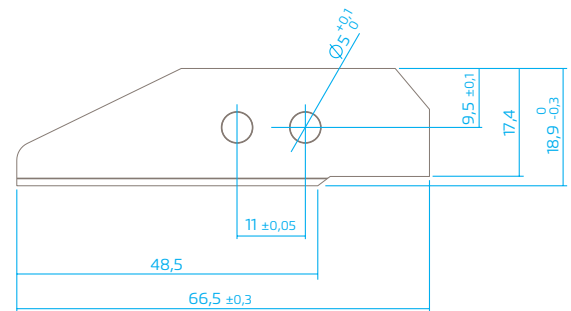


LARGE SPECIAL PURPOSE BLADE NO. 160060 from MARTOR is a high-quality blade OR is a high-quality blade made of stainless steel. It is very sharp and has one usable cutting edge. The rounded tip increase user safety. The blade is 66.5 mm long, 18.9 mm wide and 0.63 mm thick.

LARGE SPECIAL PURPOSE BLADE No. 160060 is available under order number 160060.62 in a transparent pack of 5.

PRODUCT DETAILS

Order No.	NO. 160060.62
Blade size (L x W)	66.5 x 18.9 mm
Material thickness	0.63 mm
Weight Blade	4.7 g
Basic material	Stainless steel
Refinement/ Version	Stainless steel
Ground	2-sided ground-edge
Blade facets	Single bevel edge-ground
Safety feature	Rounded blade tip
Blade characteristics	1-cutting edge blade



PACKAGING DETAILS

Packaging unit (PU)	5 in transparent pack
Size PU	75 x 22 x 9.6 mm
Weight PU	27.4 g
EAN Code PU	4002632804298
Quantity in outer pack	10 transparent packs
Size outer pack	80 x 23.5 x 100.0 mm
Weight outer pack	286 g
EAN Code outer pack	4002632854293
Customs tariff number	82119400



PRODUCT FEATURES

Technical features



Stainless



Rounded special blade



2-sided ground-edge



MOUNTABLE IN

The blade can be used in the following MARTOR knives: SECUNORM 610 XDR.

SAFETY ADVICE



CAUTION: The blade is sharp and can result in serious and deep cuts. Therefore, never reach into the blade!

Only use cutting tools that are in perfect condition with sharp, clean and undamaged MARTOR blades. Also make sure that the knife's operation is not impaired by the material to be cut or by dirt or particle deposits around the blade.

1. Replacement of spare parts: Replace any blades that become dull at the right time! Dispose of old blades in a proper fashion. They should not be placed in a waste paper bin, as this poses a considerable danger of injuries.

2. Non-use of the knife: Always secure the blade in such a way (depending on product type) that injuries due to cuts are excluded. Store the knife in a secure place.

3. Care instructions: To guarantee a long service life, always keep the knife clean and do not expose it to unnecessary soiling and humidity.

CAUTION: No liability will be assumed for consequential losses. Subject to technical changes and errors! This knife does not belong in the hands of children!



Distributed by: SAURYA HSE PVT LTD

**Ho: C-112A, Kailash Business Park, Veer Sawarkar Marg, Vikhroli (West), Mumbai – 400079, Maharashtra, India
T: +91 22 4065 5555 | E: commercial@sauryahse.com | W: www.sauryahse.com**