

## TECHNICAL DATA SHEET

### INDUSTRIAL BLADE NO. 83630

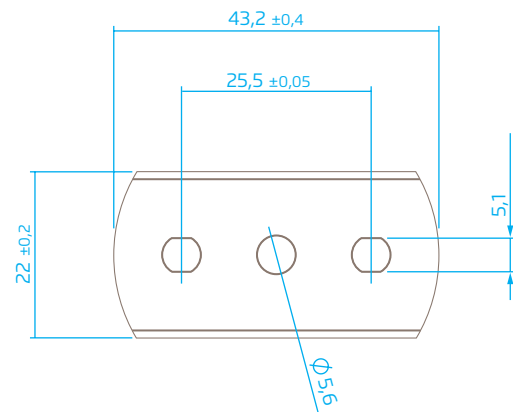


INDUSTRIAL BLADE NO. 83630 from MARTOR is a high-quality blade made of stainless steel with TiN-coating. It is very sharp and has four cutting edges that can be used one after the other for an extra long service life. The blade is 43.2 mm long, 22 mm wide and 0.30 mm thick. The oil used for the blade is food safe.

INDUSTRIAL BLADE NO. 83630 is available under order number 83630.35 as 500 pieces.

#### PRODUCT DETAILS

Order No.	NO. 83630.35
Blade size (L x W)	43.2 x 22 mm
Material thickness	0.30 mm
Weight Blade	1.9 g
Basic material	Steel
Refinement/ Version	stainless steel, TiN
Ground	2-sided ground-edge
Blade facets	Double bevel edge-ground
Blade characteristics	4-cutting edge blade



#### PACKAGING DETAILS

Packaging unit (PU)	500 blades (each paper-wrapped)
Size PU	235 x 52 x 28.0 mm
Weight PU	2.1 g
EAN Code PU	4002632916434
Customs tariff number	82119400



#### PRODUCT FEATURES

##### Technical features



TiN-coated



stainless



2-sided ground-edge



4-cutting edge blade

The blade can be used in the following MARTOR knives: SECUMAX COUPPY, SECUMAX MOBILEX, SECUMAX SNITTY, SECUMAX SALVEX SOS.

### SAFETY ADVICE

---



**CAUTION: The blade is sharp and can result in serious and deep cuts. Therefore, never reach into the blade!**

Only use cutting tools that are in perfect condition with sharp, clean and undamaged MARTOR blades. Also make sure that the knife's operation is not impaired by the material to be cut or by dirt or particle deposits around the blade.

**1. Replacement of spare parts:** Replace any blades that become dull at the right time! Dispose of old blades in a proper fashion. They should not be placed in a waste paper bin, as this poses a considerable danger of injuries.

**2. Non-use of the knife:** Always secure the blade in such a way (depending on product type) that injuries due to cuts are excluded. Store the knife in a secure place.

**3. Care instructions:** To guarantee a long service life, always keep the knife clean and do not expose it to unnecessary soiling and humidity.

**CAUTION: No liability will be assumed for consequential losses. Subject to technical changes and errors! This knife does not belong in the hands of children!**



**Distributed by: SAURYA HSE PVT LTD**

**Ho: C-112A, Kailash Business Park, Veer Sawarkar Marg, Vikhroli (West), Mumbai – 400079, Maharashtra, India  
T: +91 22 4065 5555 | E: commercial@sauryahse.com | W: www.sauryahse.com**