

## TECHNICAL DATA SHEET

### INDUSTRIAL BLADE NO. 81

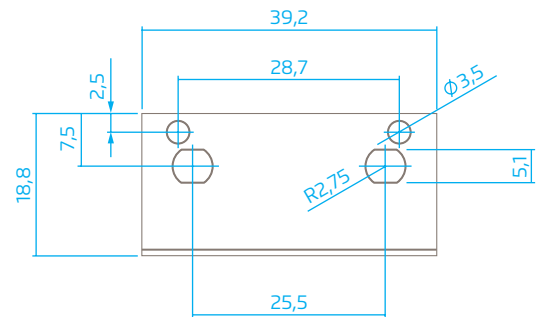


INDUSTRIAL BLADE NO. 81 from MARTOR is a high-quality blade made of steel. It is very sharp and has one usable cutting edge. The blade is 39.2 mm long, 18.8 mm wide and 0.30 mm thick.

INDUSTRIAL BLADE NO. 81 is available under order number 81.32 as 200 pieces.

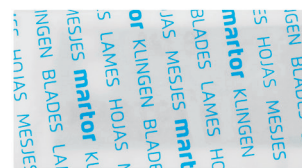
#### PRODUCT DETAILS

Order No.	NO. 81.32
Blade size (L x W)	39.2 x 18.8 mm
Material thickness	0.30 mm
Weight Blade	1.5 g
Basic material	Steel
Ground	2-sided ground-edge
Blade facets	Single bevel edge-ground
Blade characteristics	1-cutting edge blade



#### PACKAGING DETAILS

Packaging unit (PU)	200 blades (each paper-wrapped)
Size PU	110 x 50 x 30.0 mm
Weight PU	358.0 g
EAN Code PU	4002632911538
Customs tariff number	82119400



#### PRODUCT FEATURES

##### Technical features



2-sided ground-edge



**CAUTION: The blade is sharp and can result in serious and deep cuts. Therefore, never reach into the blade!**

Only use cutting tools that are in perfect condition with sharp, clean and undamaged MARTOR blades. Also make sure that the knife's operation is not impaired by the material to be cut or by dirt or particle deposits around the blade.

**1. Replacement of spare parts:** Replace any blades that become dull at the right time! Dispose of old blades in a proper fashion. They should not be placed in a waste paper bin, as this poses a considerable danger of injuries.

**2. Non-use of the knife:** Always secure the blade in such a way (depending on product type) that injuries due to cuts are excluded. Store the knife in a secure place.

**3. Care instructions:** To guarantee a long service life, always keep the knife clean and do not expose it to unnecessary soiling and humidity.

**CAUTION: No liability will be assumed for consequential losses. Subject to technical changes and errors! This knife does not belong in the hands of children!**



Distributed by: Saurya HSE Pvt Ltd  
C-112A Kailash Business Park, Veer Sawarkar Marg, Vikhroli West, Mumbai 400079, India  
T: +91 22 4065 5555 | E: commercial@sauryahse.com | W: sauryahse.com