

## TECHNICAL DATA SHEET

### INDUSTRIAL BLADE NO. 13730

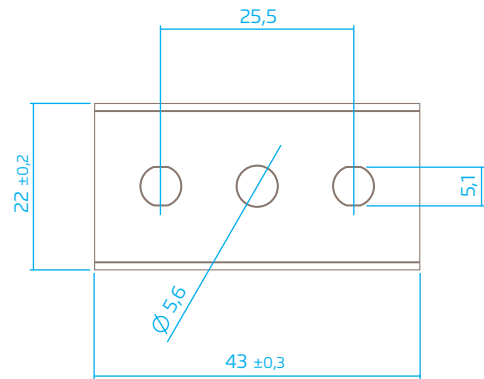


INDUSTRIAL BLADE NO. 13730 from MARTOR is a high-quality blade made of stainless steel. It is very sharp and has four cutting edges that can be used one after the other for an extra long service life. The blade is 43 mm long, 22 mm wide and 0.30 mm thick. The oil used for the blade is food safe.

INDUSTRIAL BLADE NO. 13730 is available under order number 13730.60 in a transparent pack of 10.

#### PRODUCT DETAILS

Order No.	NO. 13730.60
Blade size (L x W)	43 x 22 mm
Material thickness	0.30 mm
Weight Blade	2.8 g
Basic material	Steel
Refinement/ Version	stainless steel
Blade facets	Double bevel edge-ground
Blade characteristics	4-cutting edge blade



#### PACKAGING DETAILS

Packaging unit (PU)	10 in transparent pack
Size PU	52.6 x 25.5 x 9.5 mm
Weight PU	22.5 g
EAN Code PU	4002632918254
Quantity in outer pack	10 transparent packs
Size outer pack	88 x 28 x 64.0 mm
Weight outer pack	240 g
EAN Code outer pack	4002632969577
Customs tariff number	82119400



#### PRODUCT FEATURES

##### Technical features



stainless



2-sided ground-edge



4-cutting edge blade

## REMOVAL

---



## MOUNTABLE IN

---

The blade can be used in the following MARTOR knives: SECUMAX MOBILEX, SECUMAX OPTICUT, SECUMAX SALVEX SOS, SECUMAX SNITTY.

## SAFETY ADVICE

---



**CAUTION: The blade is sharp and can result in serious and deep cuts. Therefore, never reach into the blade!**

Only use cutting tools that are in perfect condition with sharp, clean and undamaged MARTOR blades. Also make sure that the knife's operation is not impaired by the material to be cut or by dirt or particle deposits around the blade.

**1. Replacement of spare parts:** Replace any blades that become dull at the right time! Dispose of old blades in a proper fashion. They should not be placed in a waste paper bin, as this poses a considerable danger of injuries.

**2. Non-use of the knife:** Always secure the blade in such a way (depending on product type) that injuries due to cuts are excluded. Store the knife in a secure place.

**3. Care instructions:** To guarantee a long service life, always keep the knife clean and do not expose it to unnecessary soiling and humidity.

**CAUTION: No liability will be assumed for consequential losses. Subject to technical changes and errors! This knife does not belong in the hands of children!**



**Distributed by: SAURYA HSE PVT LTD**

**Ho: C-112A, Kailash Business Park, Veer Sawarkar Marg, Vikhroli (West), Mumbai – 400079, Maharashtra, India  
T: +91 22 4065 5555 | E: commercial@sauryahse.com | W: www.sauryahse.com**