

COPPUS VANO[®] 175CV & 250CV

Rugged, reliable ventilator models



MODEL/SPECIFICATIONS

MODEL 175CV

3/4 HP
1,500 cfm (2,549 m³/hr)

MODEL 250CV

1 HP
3,000 cfm (5,098 m³/hr)

HAZARDOUS LOCATION MODELS

VANO models are available with hazardous location (EP*) motors that meet NEC Class I, Division I, Group D and Class II, Division I, Groups E, F, G specifications.

**EP models do not include plugs*

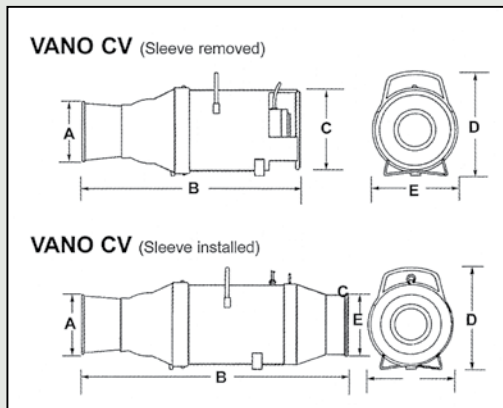
DESCRIPTION

COPPUS ventilators revolutionized air moving equipment more than 60 years ago with the introduction of the VANO models. The VANO models offer a fixed guide vane design that delivers high volumes of air while maintaining static pressure for exhausting fumes and delivering fresh air. A rugged, durable, high-performance design makes the VANO models ideal for ventilating tanks, process vessels, tank cars, manholes and other confined spaces.

FEATURES / ADVANTAGES

- Straightening fixed guide vanes for improved static pressure performance
- Accepts ducting at inlet and outlet ends
- Converts to exhaust fumes from bottom of tanks
- Available with totally enclosed (TE) or explosion-proof (EP) motors and compatible switch; all models supplied with 15 ft (4.572 m) power cord
- Heavy-gauge, powder-coated steel and cast aluminum construction
- Spark-resistant fan blades
- Automatic thermal overload protection standard on VANO 175CV and 250CV models
- Optional tripod and transport cart.

DIMENSIONS



MODEL	in/mm					WT lbs/kgs	Duct inch/mm
	A	B	C	D	E		
175CV Sleeve removed	8.38 213	31.88 810	10.62 270	13.75 349	11.38 289	62 28	8 203
175CV Sleeve installed	8.38 213	38.88 988	8.38 213	13.75 349	11.38 289	73 33	8 203
250CV Sleeve removed	12 305	33 838	12.25 311	15.62 397	13.25 337	86 39	12 305
250CV Sleeve installed	12 305	36 914	12 305	15.62 397	13.25 337	93 41	12 305

TECHNICAL DATA

FREE AIR DECIBEL LEVELS	
VANO 175CV	90 dBA
VANO 250CV	92 dBA

AIR FLOW THROUGH FLEXIBLE DUCT (STRAIGHT RUNS)								
MODEL	10 ft 3.05 m		20 ft 6.10 m		30 ft 9.15 m		50 ft 15.25 m	
	cfm	m ³ /hr	cfm	m ³ /hr	cfm	m ³ /hr	cfm	m ³ /hr
175CV	1,167	1,983	1,083	1,841	1000	1699	900	1,529
250CV	2,450	4,163	2,183	3,710	2,067	3,512	1,917	3,257

Performance schedule represents 60 Hz synchronous speeds; 50 Hz models perform at approximately 80 percent of listed schedules.

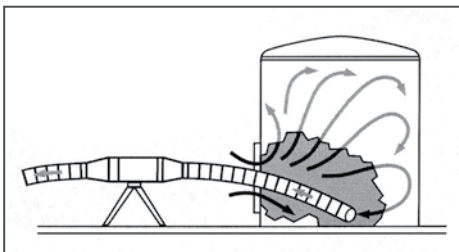
CONVERTIBLE DESIGN

By simply removing the inlet sleeves, the VANO 175CV and 250CV convert to vertical exhaust units.



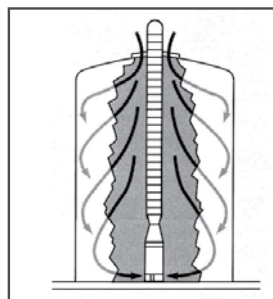
WITH INLET SLEEVE INSTALLED

The flexible duct can be attached to inlet and outlet ends. This allows fumes to be exhausted from a confined space, or fresh air to be delivered from a remote area.



WITH INLET SLEEVE REMOVED

Cut-outs on inlet end of CV models are exposed for exhausting heavier-than-air fumes from the bottoms of tanks, vats, drums, and other confined spaces.



OPTIONAL ACCESSORIES

TRIPOD

Lifts VANO 175 and 250 models off ground to prevent dirt pick-up and allow smooth duct flow into elevated confined space openings. Bolts to VANO and allows positioning from 45 degrees up to 45 degrees down. Legs fold for storage. Also accepts Jectair models.



TRANSPORT CART

Built of tubular steel with large diameter rubber tires increases portability of VANO 175 and 250 models. Duct can be attached without removing VANO from cart. Built-in crane lift hook.



For more information about Coppus portable ventilation products, contact us at:

Saurya HSE Pvt Ltd

HO: C-112 A, Kailash Business Park, Veer Sawarkar Marg, Vikhroli West, Mumbai, Maharashtra 400079

T: +91 22 4065 5555 | E: info@sauryahse.com | W: sauryahse.com